



This document is brought to you through the kind services of

Kevin Wright

krwright@wankel.net

<http://www.wankel.net/~krwright>

who laboriously scanned, post-processed, Distilled, and organized the original 1983 (June 1999 printing) Factory Service Manual provided by Rob Windsor, owner/moderator of the Early Mazda Rotaries (AKA SA22C, neé FB) email list. (Thanks, Rob!)

There are several ways to get around in the document. I have provided Bookmarks to all the sections and subsections, and the Table of Contents is hot-linked as well. Thumbnails are also provided in the Thumbnails side bar.

Several of the pages in the original document were of the fold-out variety, but were reduced in the re-printed copy the scans were taken from. These pages have been re-enlarged into full sheet and segmented versions, as indicated in the Bookmarks. These pages probably should be printed out on 11" x 17" paper if available, but are still readable on 8.5" x 11" paper. You could also print out the segmented versions and attach them together, if so desired (or not.)

I have also included a label for the spine of a binder, for those who wish to print out all 30-odd pages and keep a dead-tree edition handy. ☺

The original document is © 1982 Mazda Motor Corporation and remains so. This version is provided as a service for owners of first generation Mazda RX-7s who are having a devil of a time locating the factory wiring guide for a reasonable price.

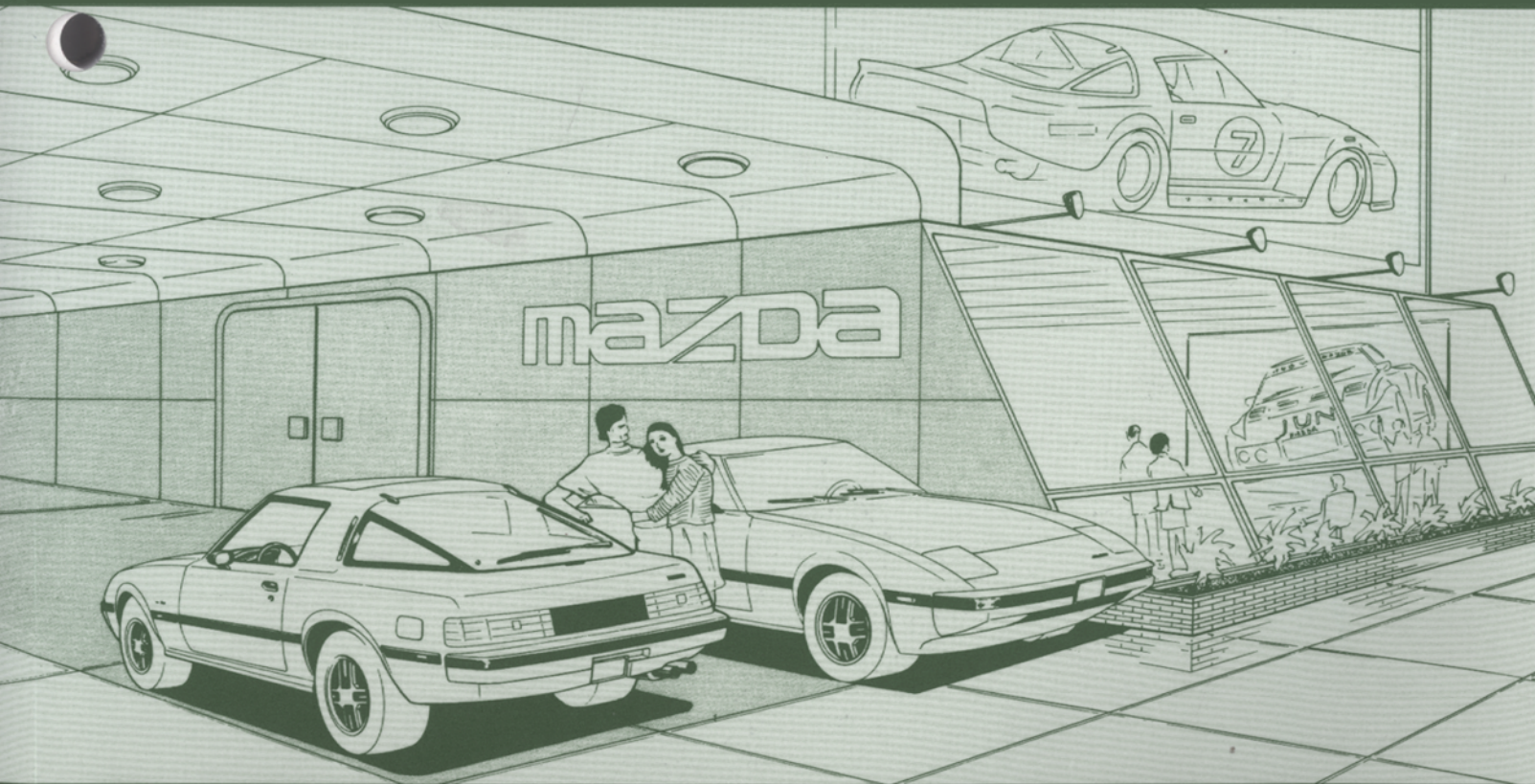
Subscribe to the Early Mazda Rotaries email list:
Send an email with "subscribe" (without the quotes) to list-request@sa22c.org

See <http://www.dfw-rx7.com> for information on the DFW-RX7 email list.

07/17/2002

Mazda RX-7

1983
Workshop Manual



mazda

Wiring Diagram

SECTION INDEX	
Name	Section
<ul style="list-style-type: none"> ■ How to use this wiring diagram ■ Symbol in this wiring diagram 	O
<ul style="list-style-type: none"> ■ Electric wiring schematic 	W
<ul style="list-style-type: none"> ■ Charging system ■ Starting system 	A
<ul style="list-style-type: none"> ■ Emission control system ■ Ignition system ■ Cruise control system ■ Kick down system (for A/T) ■ Fuel pump 	B
<ul style="list-style-type: none"> ■ Meters & warning lights 	C
<ul style="list-style-type: none"> ■ Front wiper & washer ■ Rear wiper & washer 	D
<ul style="list-style-type: none"> ■ Headlights & illumination lights ■ Headlight cleaner 	E
<ul style="list-style-type: none"> ■ Turn & hazard flasher lights ■ Back-up lights ■ Stop lights ■ License lights ■ Horn ■ Side marker lights ■ Front parking lights ■ Tail lights 	F
<ul style="list-style-type: none"> ■ Heater & air conditioner ■ Rear window defroster 	G
<ul style="list-style-type: none"> ■ Glove box light ■ Seat belt warning system ■ Cigarette lighter ■ Ignition key reminder buzzer ■ Ignition switch light system ■ Interior and spot light ■ Lights off reminder chime system ■ Auto clock ■ Luggage compartment light ■ Glass hatch release system ■ Fuel-door release system 	H
<ul style="list-style-type: none"> ■ Remote control mirror ■ Power window 	I
<ul style="list-style-type: none"> ■ Audio system ■ Power antenna 	J
<ul style="list-style-type: none"> ■ Common connector list 	X

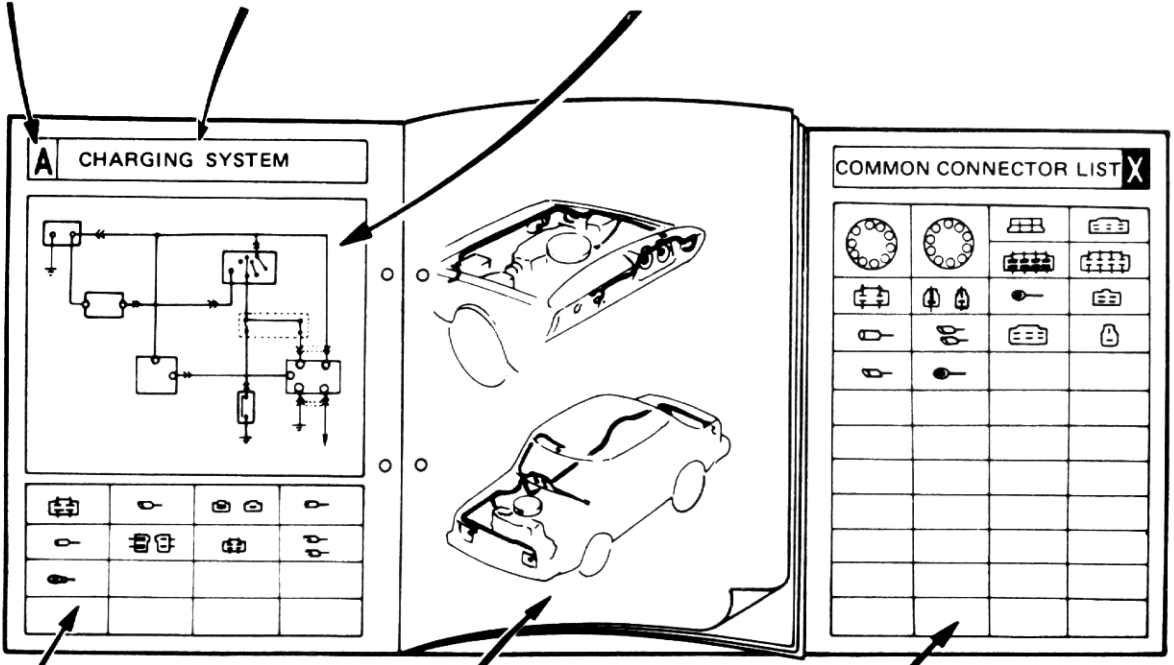
HOW TO USE THIS WIRING DIAGRAM

The complete electrical system is divided into charging system, ignition system, etc.

Each system is shown on both right and left pages as described below.

When reading the wiring diagram, following should be noted:

Section mark System name System circuit diagram

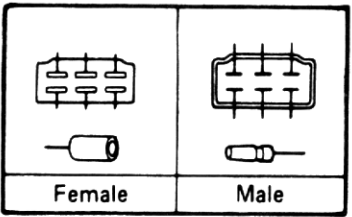


- Connector diagram identifies the exclusive applicable connectors for the circuit.

- Right page illustrates the actual location of each connector and the routing diagram of the harness.

- The last page, "Section X", illustrates common connectors related to each system.

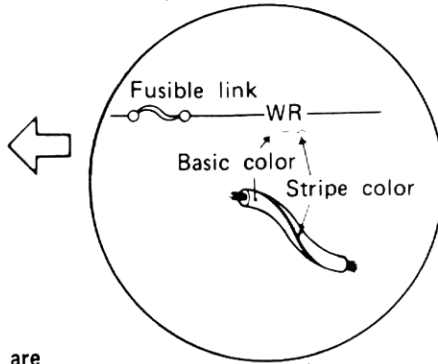
CONNECTOR



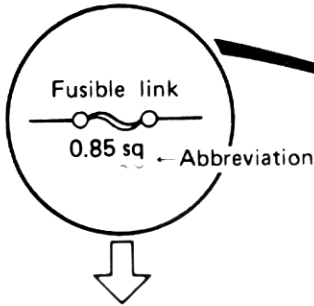
WIRING COLOR CODE

Wiring color code is indicated with alphabetical letter/s. The first letter indicates the basic color of the wire, and second letter (if any) indicates that the color of the stripe.

CODE	COLOR	CODE	COLOR
B	Black	Lg	Light green
Br	Brown	O	Orange
G	Green	R	Red
L	Blue	Y	Yellow
Lb	Light blue	W	White



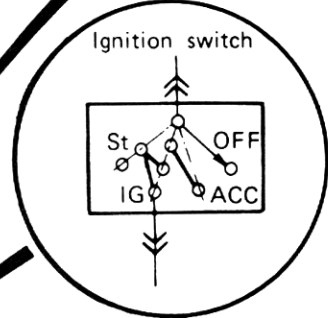
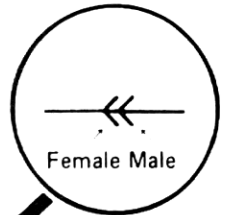
The same fusible link and fuses are indicated on each page.



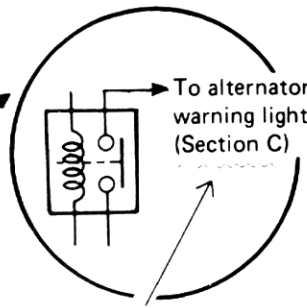
ABBREVIATIONS USED IN THIS BOOKLET

Abbr.	Term	Abbr.	Term
St	Start	A	Ampere
IG	Ignition	W	Watt
ACC	Accessory	R	Resistance
AS	Auto stop	Tr	Transistor
INT	Intermittent	M	Motor
Lo	Low	SW	Switch
Mi	Middle	Sq	Square per millimeter
Hi	High		
R.H.	Right hand	A/T	Automatic transmission
L.H.	Left hand		
F.R	Front right	M/T	Manual transmission
F.L	Front left		
R.R	Rear right	NO	Normal opened
R.L	Rear left	NC	Normal closed
V	Volt		

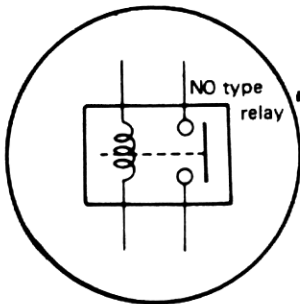
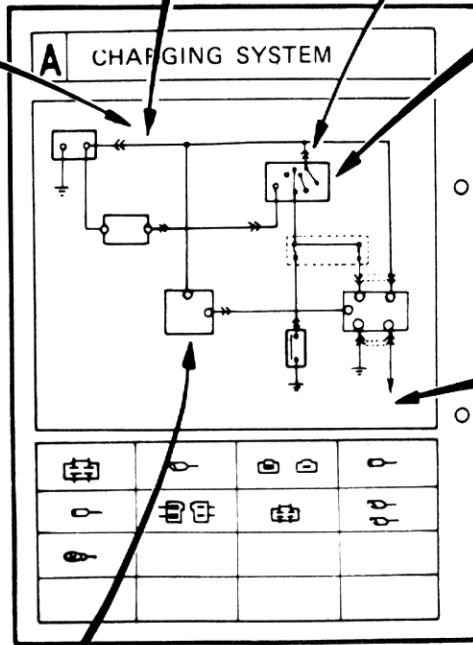
CONNECTOR



Circuit is shown with the ignition switch off.



Legend in the parenthesis () indicates the reference section.



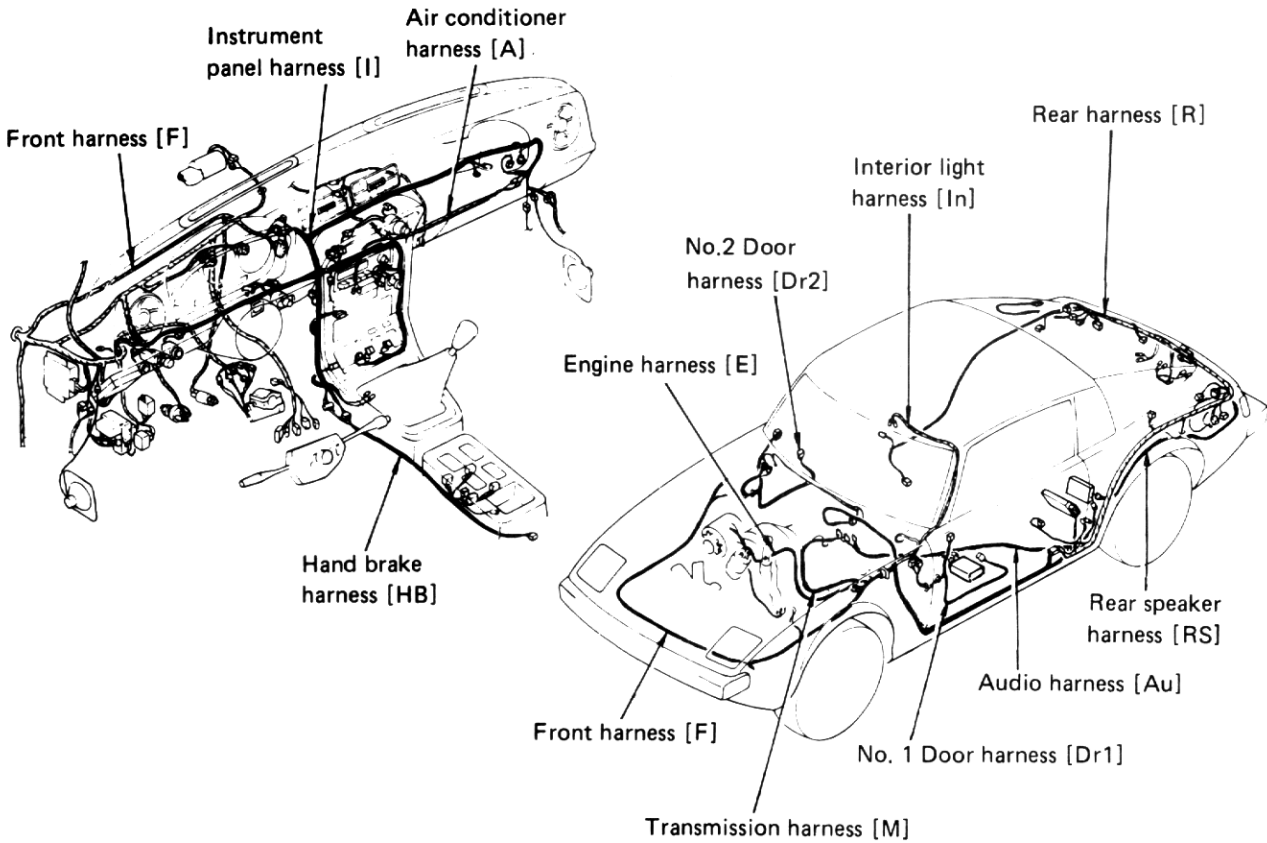
The relays and switches are identified as NC (normal closed), or NO (normal opened), to indicate their normal position when they are not in operation.

	Relay		Switch	
	NO type relay	NC type relay	NO switch	NC switch
Not in operation				
In operation				

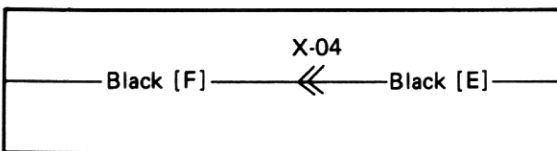
HARNESS SYMBOLS

Each harness is distinguished by a symbol to indicate to which harness belong a wiring and connector in circuit diagrams and connector charts.

DESCRIPTION OF HARNESS	SYMBOL	DESCRIPTION OF HARNESS	SYMBOL
Front harness	[F]	Interior light harness	[In]
Engine harness	[E]	No. 1 Door harness	[Dr1]
Instrument panel harness	[I]	No. 2 Door harness	[Dr2]
Rear harness	[R]	Audio harness	[Au]
Transmission harness	[M]	Rear speaker harness	[RS]
Hand brake harness	[HB]	Air conditioner harness	[A]



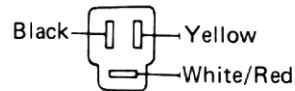
EXAMPLE OF CIRCUIT DIAGRAM



- * It is seen from the above that the male-side black line of the X-04 shows the engine harness and the female-side black line shows the front harness.
- * It is seen from the above that the X-04 connector is a connector connecting the engine and the front.

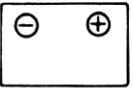
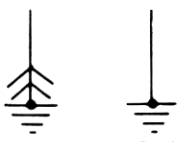
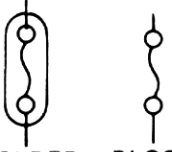




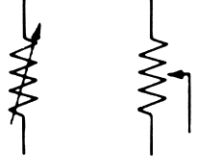
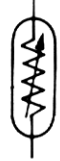

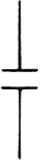
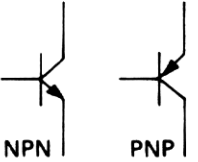


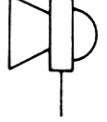
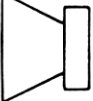

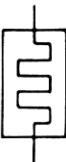
EXAMPLE OF CONNECTOR

C-03 Fuel Tank Gauge unit [R]



- * It is seen from the above that this connector (C-03) is on the Rear harness.

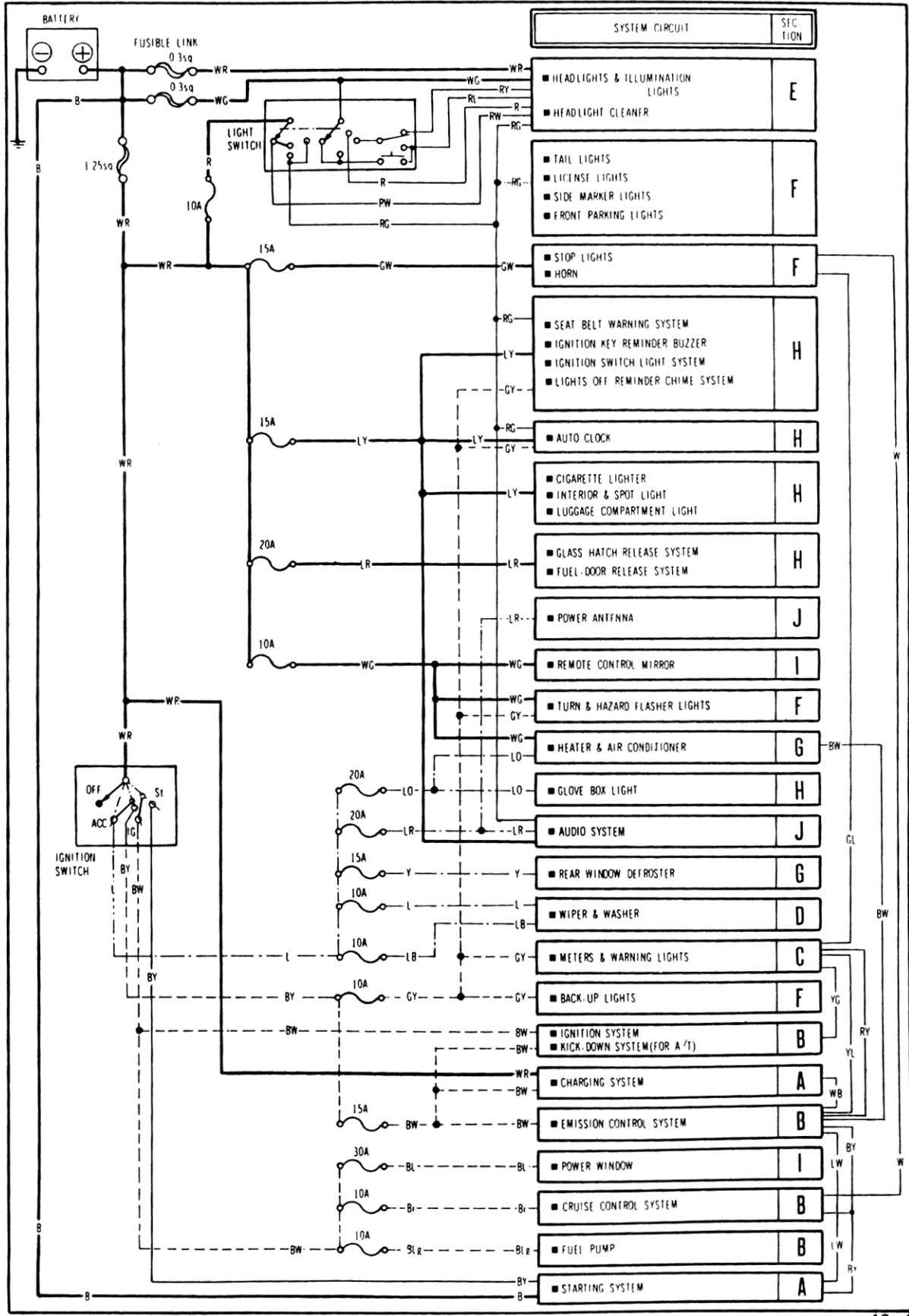
SYMBOL IN THIS WIRING DIAGRAM

				
BATTERY	HARNESS GROUND BODY GROUND	HOLDER FUSE BLOCK FUSE	FUSIBLE LINK	MOTOR
				
COIL, SOLENOID	RESISTOR	VARIABLE RESISTOR	THERMISTER	DIODE
				
CONDENSER	NPN TRANSISTOR PNP TRANSISTOR	PUMP	LIGHT	HORN
				
SPEAKER	CIGARRET LIGHTER	HEATER		

ELECTRICAL WIRING SCHEMATIC

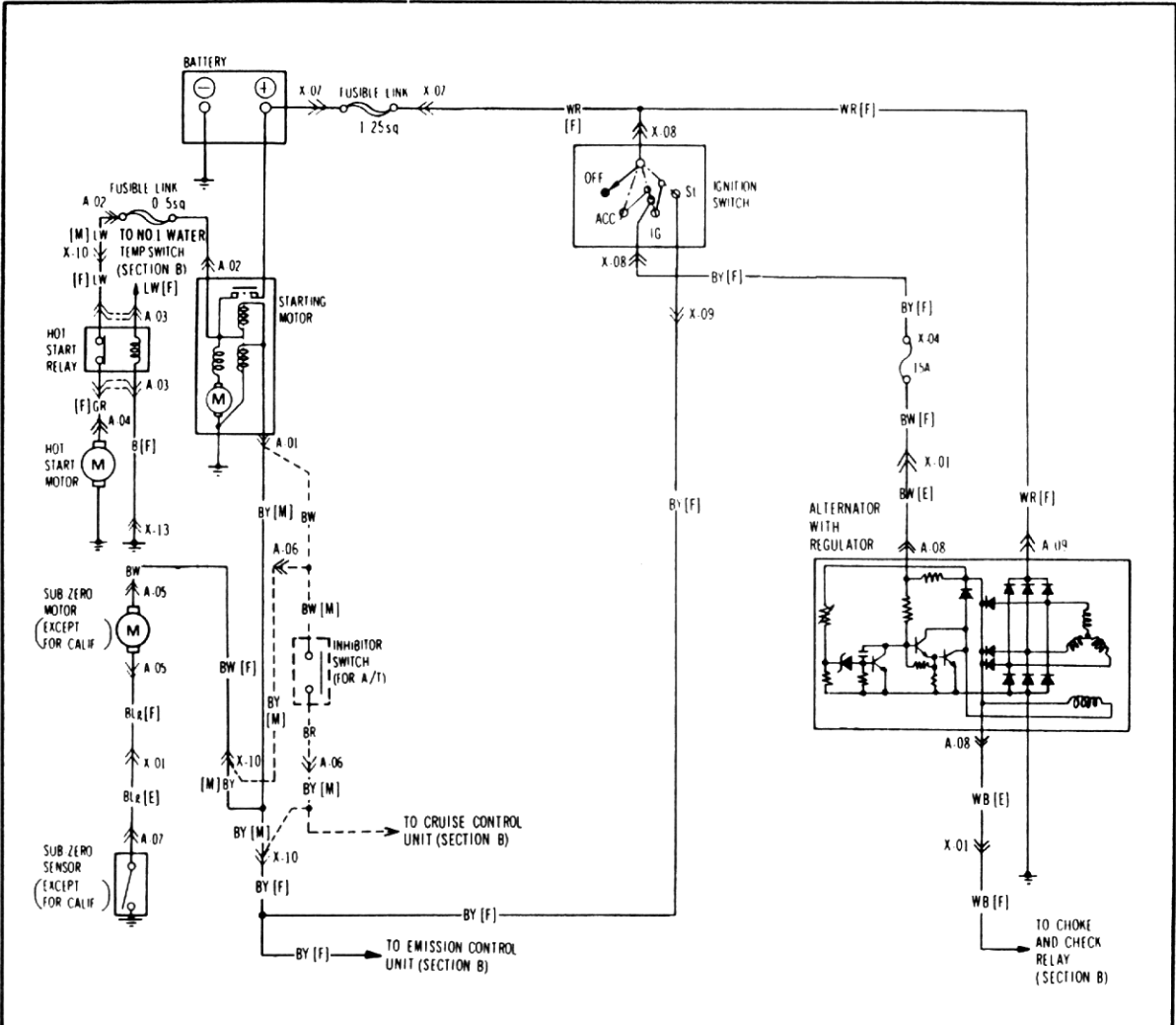
——— CURRENT FROM BATTERY
 - - - - - CURRENT FROM IG. TERMINAL OF IGNITION SWITCH
 - · - · - CURRENT FROM ACC. TERMINAL OF IGNITION SWITCH
 ——— OTHERS



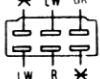


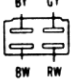
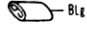


W



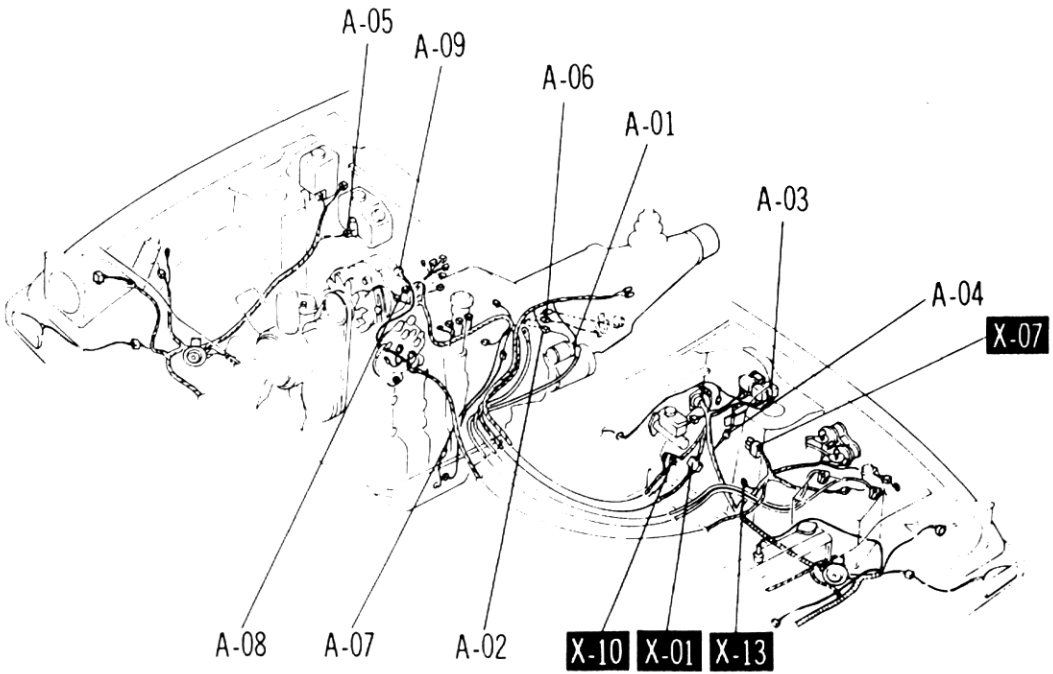
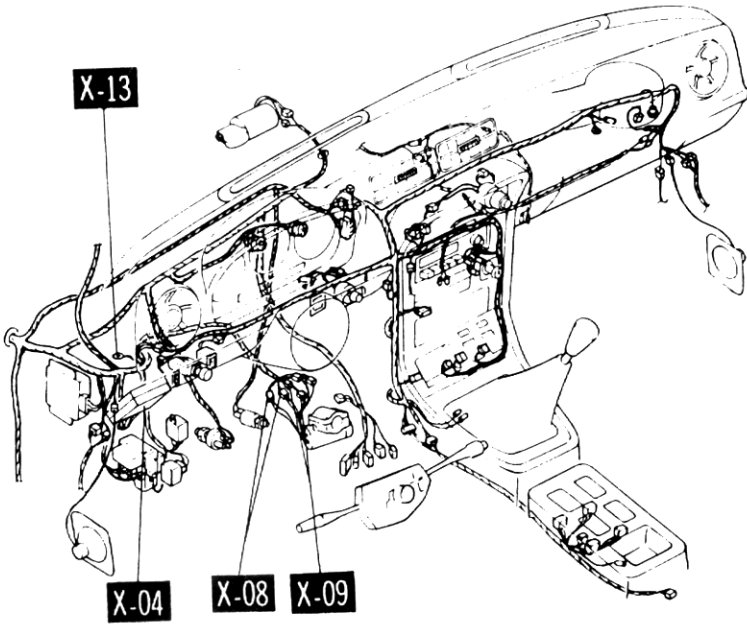
A

■CHARGING SYSTEM ■STARTING SYSTEM



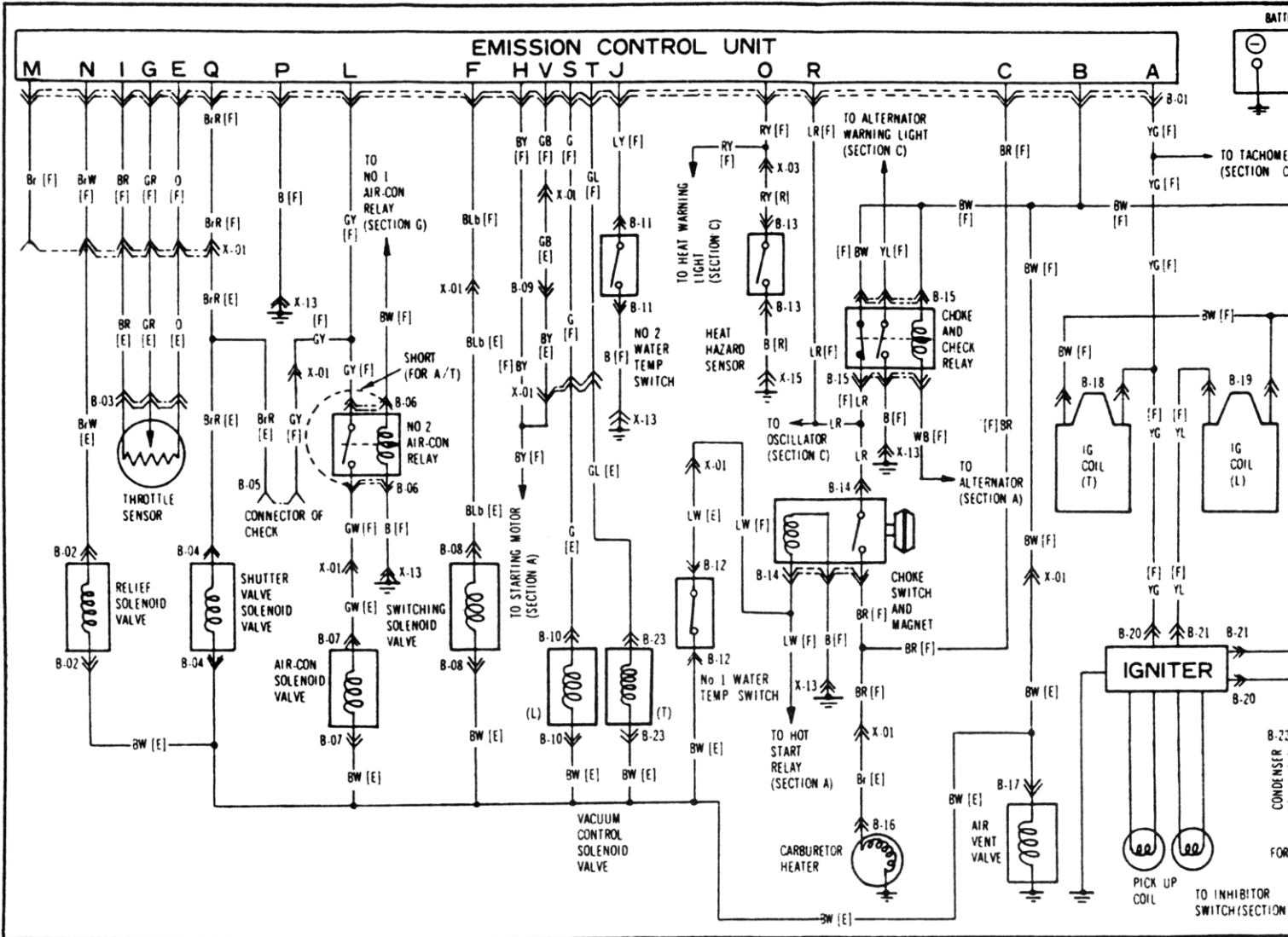
<p>A-01 STARTING MOTOR [M]</p>  <p>BY (FOR M-1) BW (FOR A-1)</p>	<p>A-02 FUSIBLE LINK [M]</p>  <p>0.5sq</p>	<p>A-03 HOT START RELAY [F]</p>  <p>LW GR LW B</p>	<p>A-04 HOT START MOTOR [F]</p>  <p>GR</p>
<p>A-05 SUB-ZERO MOTOR (EXCEPT FOR CALIF.) [F]</p>  <p>BW Blg</p>	<p>A-06 INHIBITOR SWITCH (FOR A-1) [M]</p>  <p>BY GY BW RW</p>	<p>A-07 SUB-ZERO SENSOR (EXCEPT FOR CALIF.) [E]</p>  <p>Blg</p>	<p>A-08 ALTERNATOR WITH REGULATOR [E]</p>  <p>BW WB</p>
<p>A-09 ALTERNATOR WITH REGULATOR [F]</p>  <p>WR</p>			

Note ✕...Not Used



B

- EMISSION CONTROL SYSTEM
- IGNITION SYSTEM
- CRUISE CONTROL
- KICK DOWN SYSTEM(FOR A/T)
- FUEL PUMP

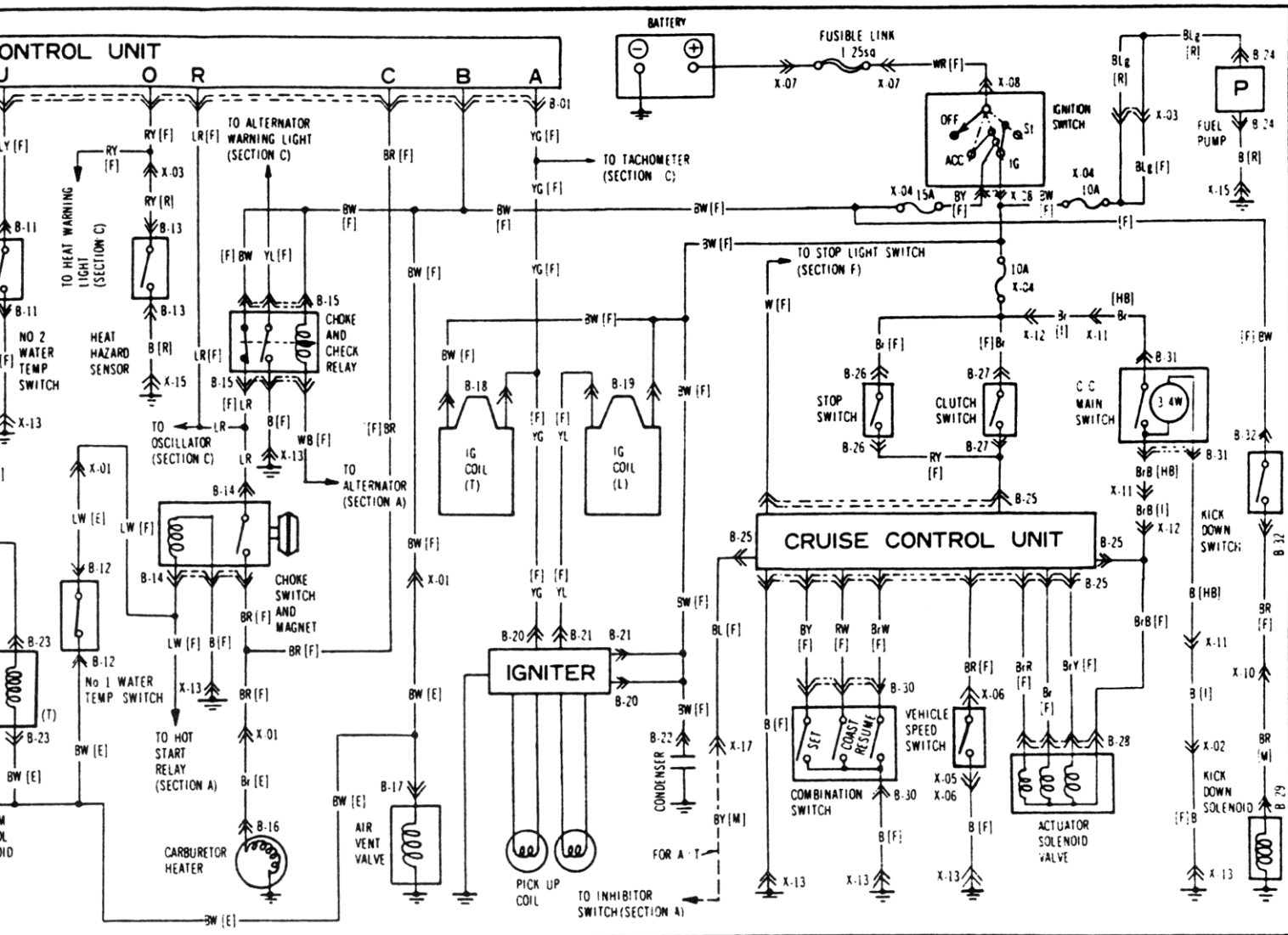



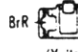

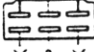



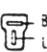



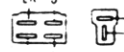
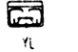
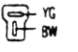
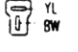
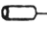
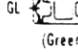




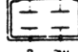


B-01 EMISSION CONTROL UNIT [F] 	B-02 RELIEF SOLENOID VALVE [E] 	B-03 THROTTLE SENSOR [E] 	B-04 SHUTTER VALVE SOLENOID VALVE [E] 	B-05 CONNECTOR OF CHECK [E]
	B-09 SHORT CONNECTOR [E] 	B-10 VACUUM CONTROL SOLENOID VALVE (L) [E] 	B-11 NO 2 WATER TEMP SWITCH (Rad) [F] 	B-12 NO 1 WATER TEMP SWITCH (Eng) [E]
B-16 CARBURETOR HEATER [E] 	B-17 AIR VENT VALVE [E] 	B-18 IGNITION COIL (T) [F] 	B-19 IGNITION COIL (L) [F] 	B-20 IGNITER (T) [F]
B-21 IGNITER (L) [F] 	B-25 CRUISE CONTROL UNIT [F] 	B-26 STOP SWITCH [F] 	B-27 CLUTCH SWITCH [F] 	B-28 ACTUATOR SOLENOID VALVE [F]
				B-29 KICK DOWN SOLENOID [M]

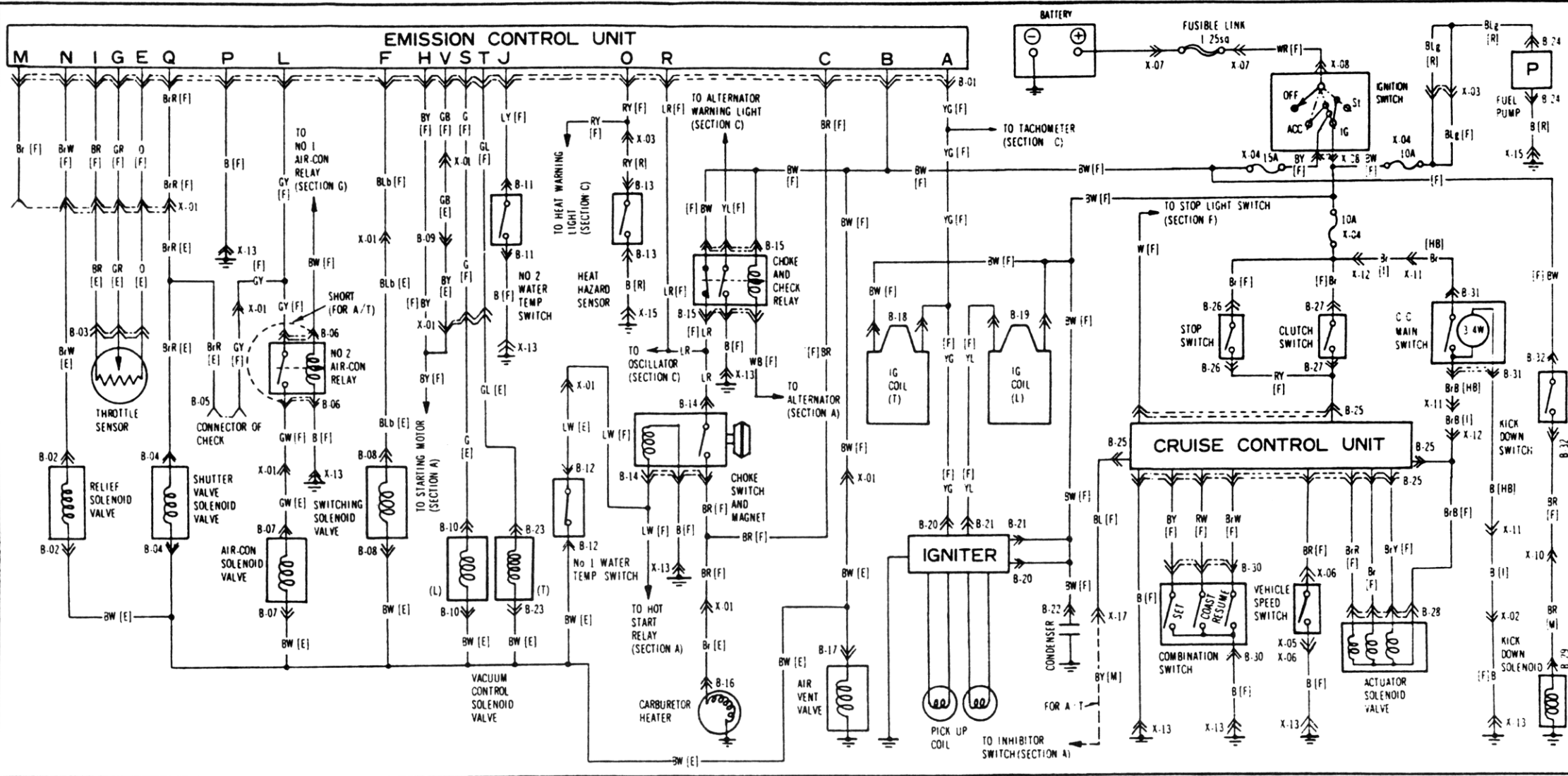
Note: X - Not Used

IGNITION SYSTEM ■ CRUISE CONTROL SYSTEM

■ FUEL PUMP

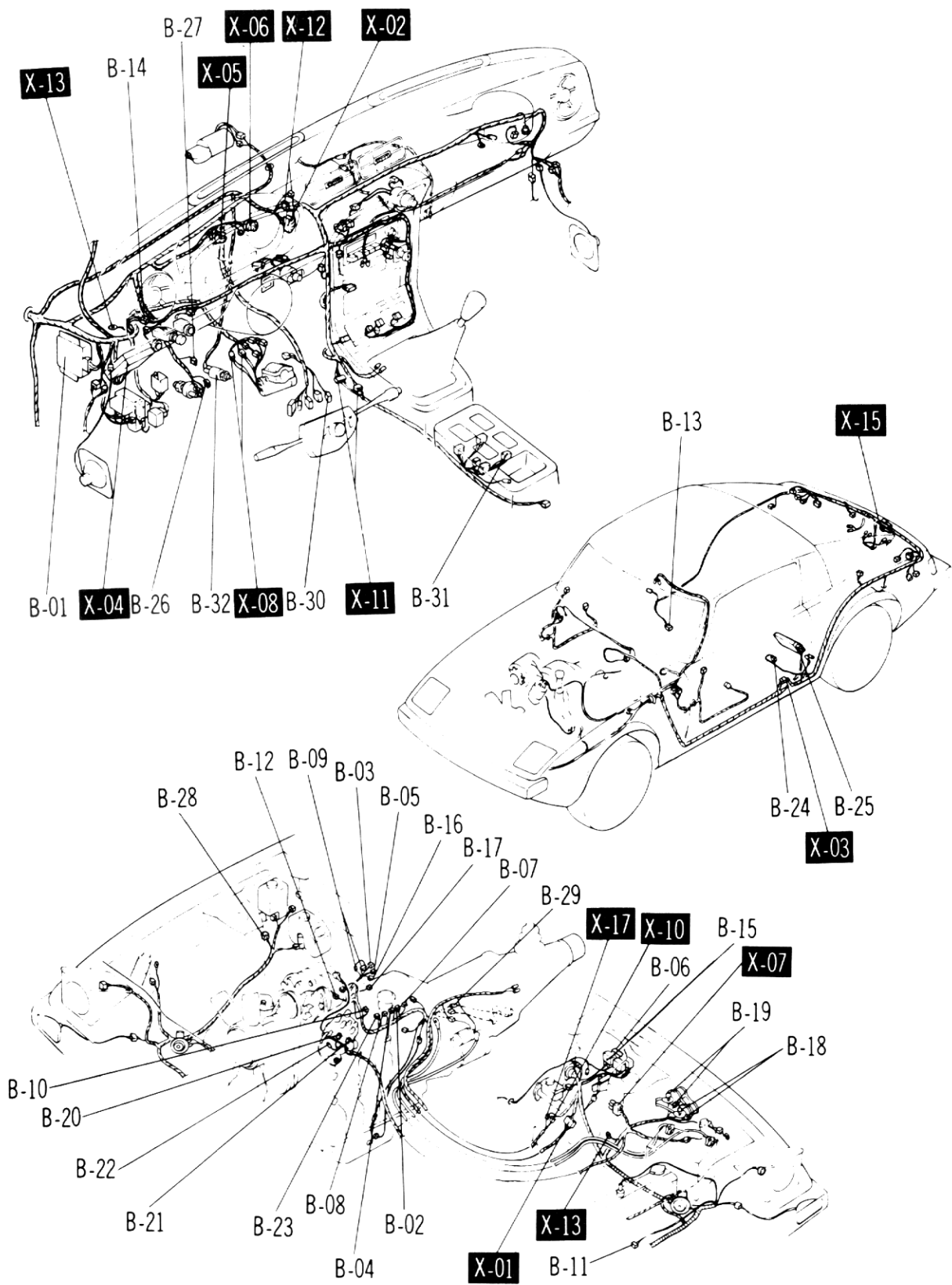


B-03 THROTTLE SENSOR [E] 	B-04 SHUTTER VALVE SOLENOID VALVE [E] BrR BW (Yellow) 	B-05 CONNECTOR OF CHECK [E] BrR GY 	B-06 NO 2 AIR-CON RELAY [F] GY BW GW 	B-07 AIR-CON SOLENOID VALVE [E] GW BW (White) 	B-08 SWITCHING SOLENOID VALVE [E] BlB BW (Green) 
B-10 VACUUM CONTROL SOLENOID VALVE (L) [E] G BW (Brown) 	B-11 NO 2 WATER TEMP SWITCH (Rad) [F] B LY 	B-12 NO 1 WATER TEMP SWITCH (Eng) [E] LW BW 	B-13 HEAT HAZARD SENSOR [R] RY B 	B-14 CHOKE SWITCH AND MAGNET [F] BR LR B 	B-15 CHOKE AND CHECK RELAY [F] LR B WB BW 
B-19 IGNITION COIL (L) [F] YL BW 	B-20 IGNITER (T) [F] YG BW 	B-21 IGNITER (L) [F] YL BW 	B-22 CONDENSER [F] BW 	B-23 VACUUM CONTROL SOLENOID VALVE (L) [E] GL BW (Green) 	B-24 FUEL PUMP [R] BlB B 
B-27 CLUTCH SWITCH [F] Br RY 	B-28 ACTUATOR SOLENOID VALVE [F] BrR BrB Br BrY 	B-29 KICK DOWN SOLENOID [M] BR 	B-30 COMBINATION SWITCH [F] BrW BY B RW 	B-31 C C MAIN SWITCH [HB] B BrB Br 	B-32 KICK DOWN SWITCH [F] BW BR 

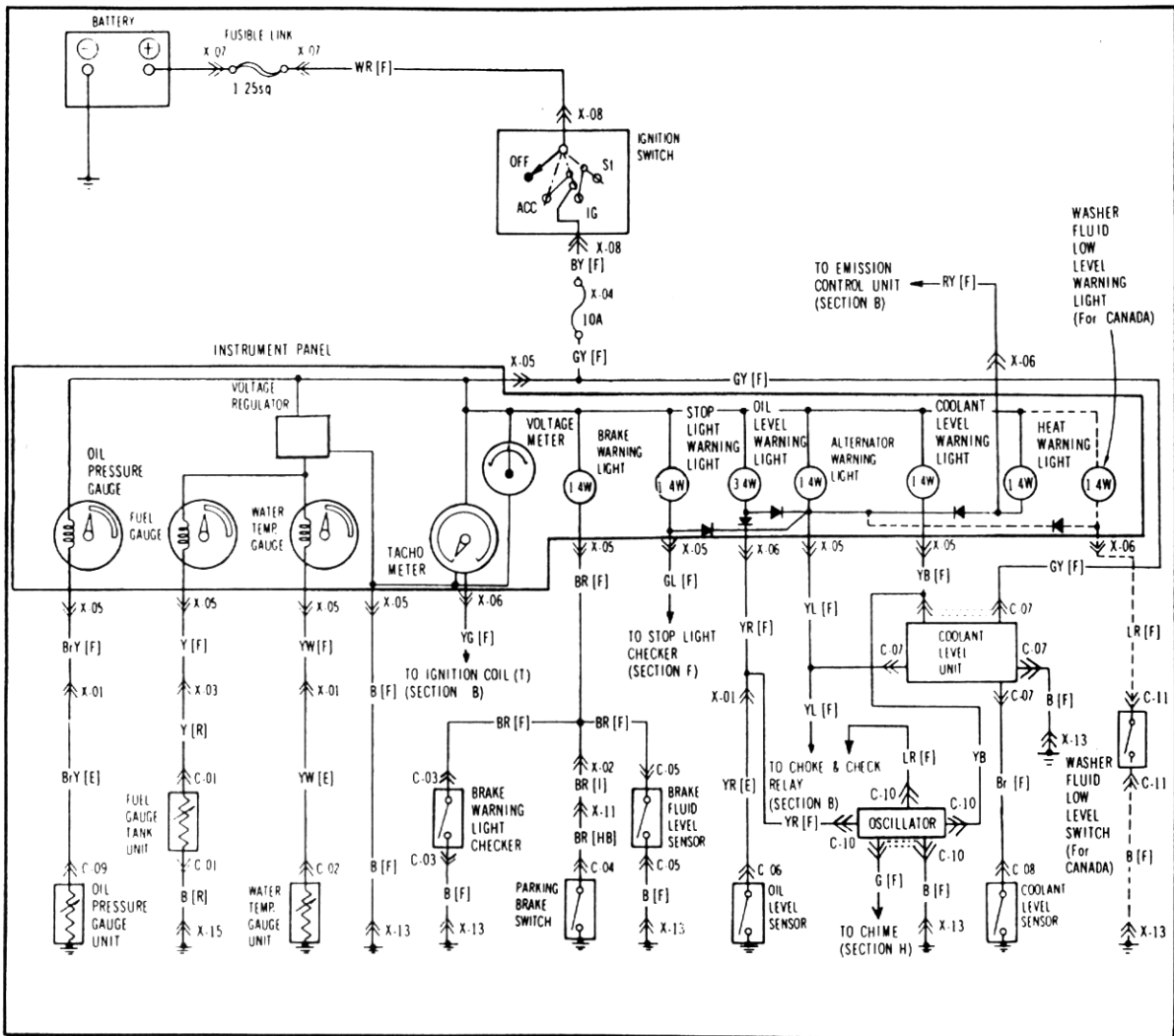



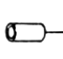
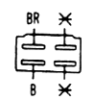



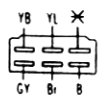


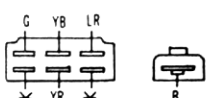

B-01 EMISSION CONTROL UNIT [F] 	B-02 RELIEF SOLENOID VALVE [E] (Blue)	B-03 THROTTLE SENSOR [E] 	B-04 SHUTTER VALVE SOLENOID VALVE [E] (Yellow)	B-05 CONNECTOR OF CHECK [E] 	B-06 NO 2 AIR-CON RELAY [F] (White)	B-07 AIR-CON SOLENOID VALVE [E] (White)	B-08 SWITCHING SOLENOID VALVE [E] (Green)								
B-09 SHORT CONNECTOR [E] 	B-10 VACUUM CONTROL SOLENOID VALVE [E] (Brown)	B-11 NO 2 WATER TEMP SWITCH (Rad.) [F] 	B-12 NO 1 WATER TEMP SWITCH (Eng.) [E] 	B-13 HEAT HAZARD SENSOR [R] 	B-14 CHOKE SWITCH AND MAGNET [F] 	B-15 CHOKE AND CHECK RELAY [F] 	B-16 CARBURETOR HEATER [E] 	B-17 AIR VENT VALVE [E] 	B-18 IGNITION COIL (T) [F] 	B-19 IGNITION COIL (L) [F] 	B-20 IGNITER (T) [F] 	B-21 IGNITER (L) [F] 	B-22 CONDENSER [F] 	B-23 VACUUM CONTROL SOLENOID VALVE [E] (Green)	B-24 FUEL PUMP [R]
B-25 CRUISE CONTROL UNIT [F] 	B-26 STOP SWITCH [F] 	B-27 CLUTCH SWITCH [F] 	B-28 ACTUATOR SOLENOID VALVE [F] 	B-29 KICK DOWN SOLENOID [M] 	B-30 COMBINATION SWITCH [F] 	B-31 C.C. MAIN SWITCH [HB] 	B-32 KICK DOWN SWITCH [F] 								

Note: * - Not Used

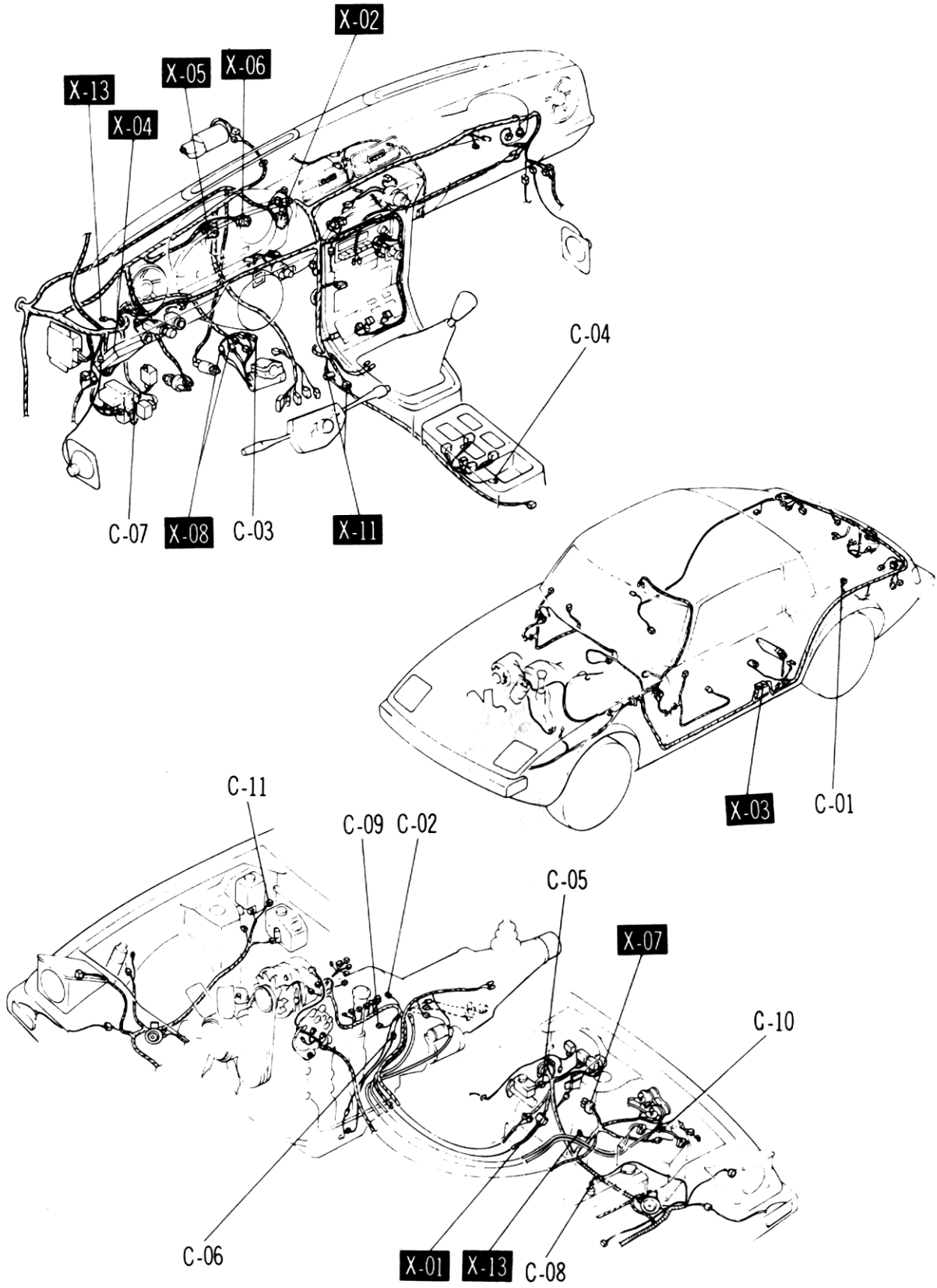


METERS & WARNING LIGHTS



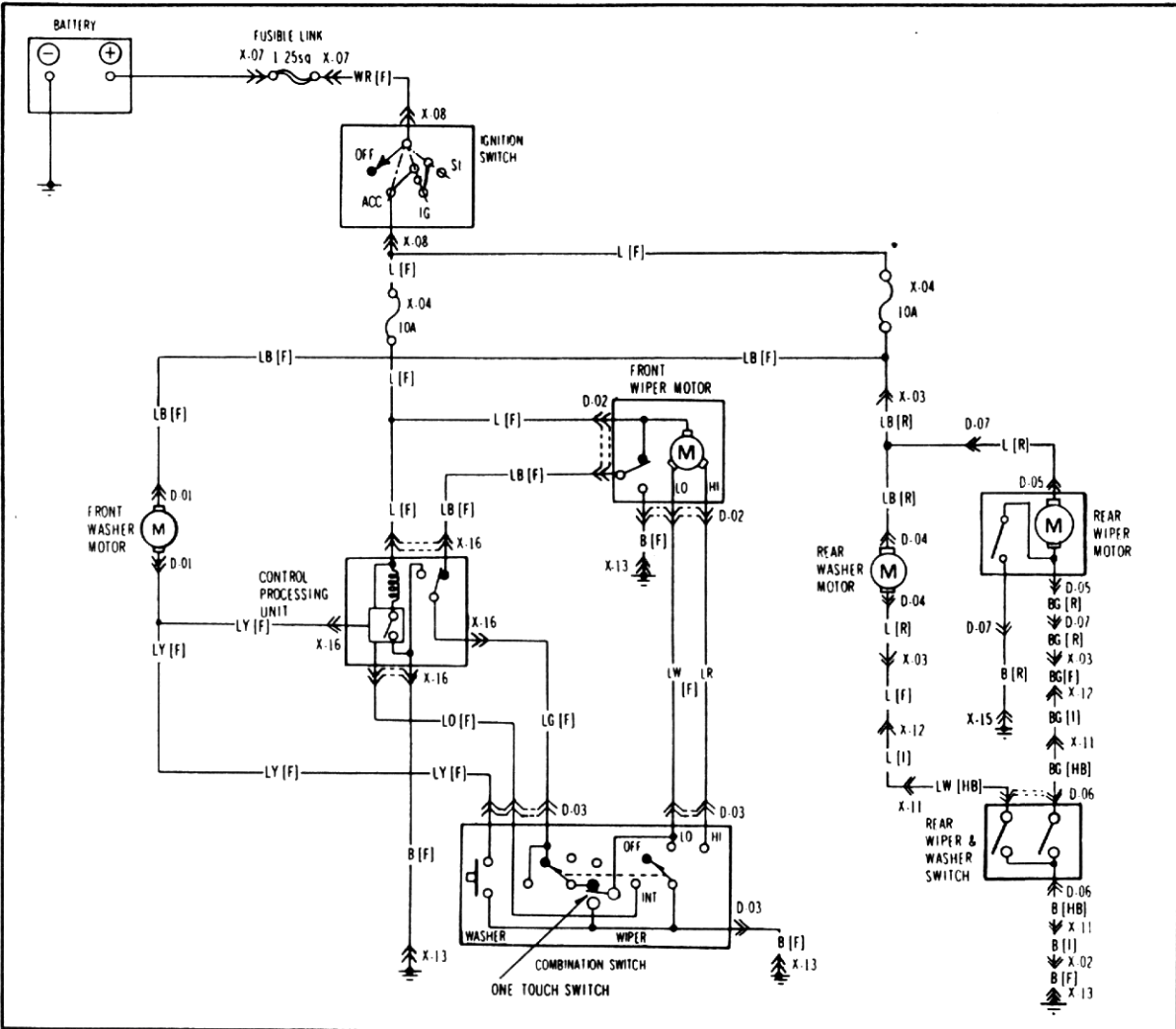
<p>C-01 FUEL GAUGE TANK UNIT [R]</p> 	<p>C-02 WATER TEMP GAUGE UNIT [E]</p> 	<p>C-03 BRAKE WARNING LIGHT CHECKER [F]</p> 	<p>C-04 PARKING BRAKE SWITCH [HB]</p> 
<p>C-05 BRAKE FLUID LEVEL SENSOR [F]</p> 	<p>C-06 OIL LEVEL SENSOR [E]</p> 	<p>C-07 COOLANT LEVEL UNIT [F]</p> 	<p>C-08 COOLANT LEVEL SENSOR [F]</p> 
<p>C-09 OIL PRESSURE GAUGE UNIT [E]</p> 	<p>C-10 OSCILLATOR [F]</p> 	<p>C-11 WASHER FLUID LOW LEVEL SWITCH (For CANADA) [F]</p> 	

Note ✕ Not Used

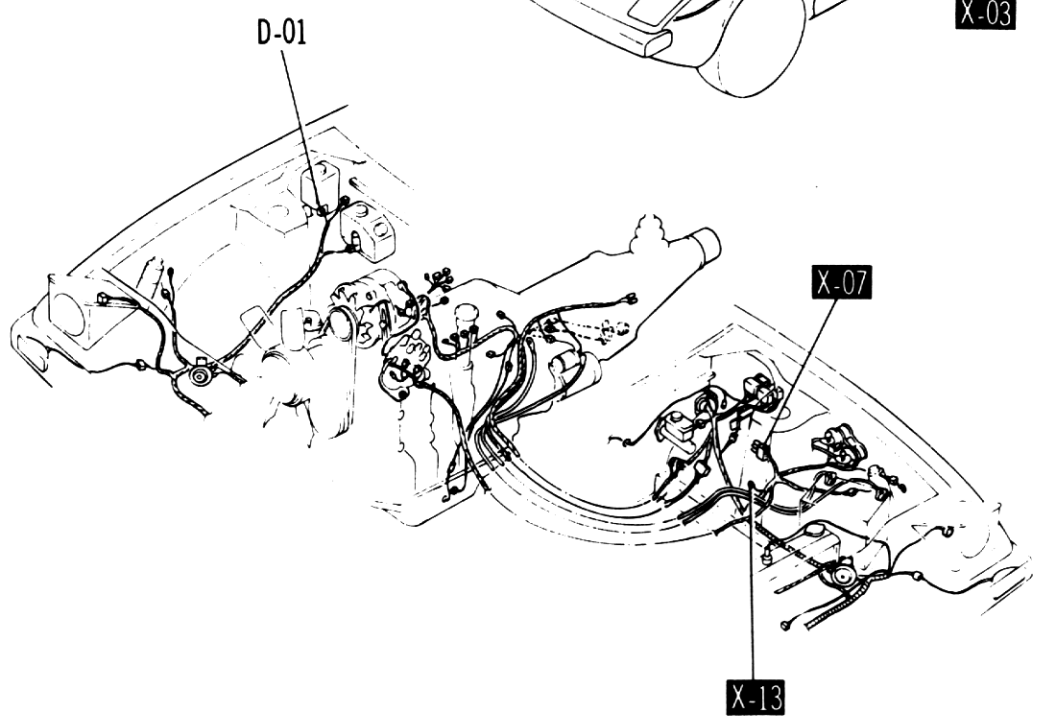
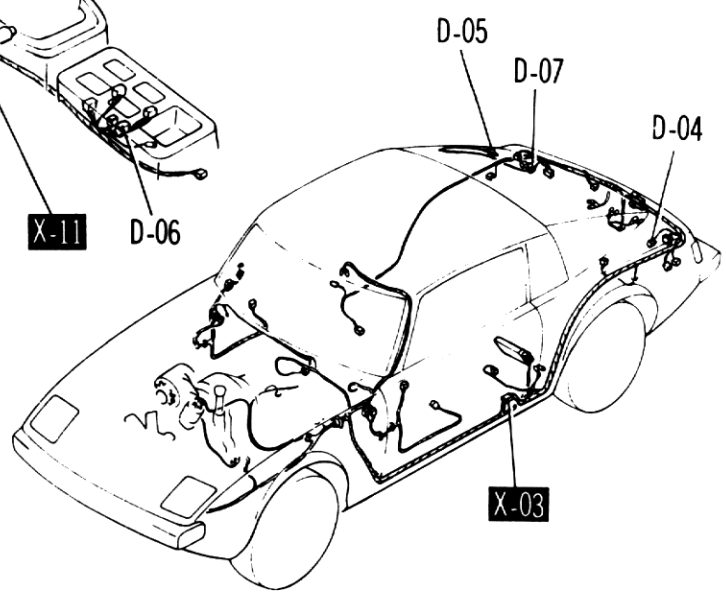
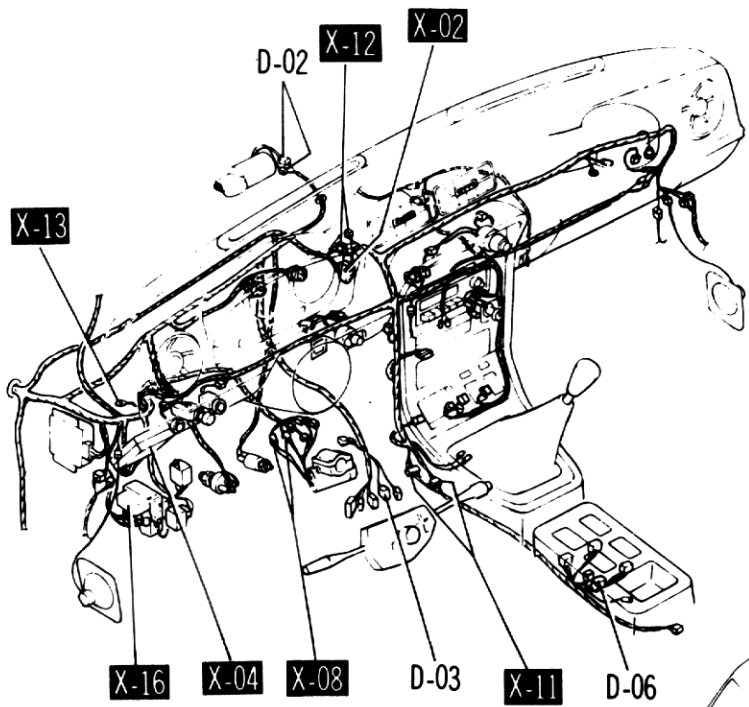


D

- FRONT WIPER & WASHER
- REAR WIPER & WASHER

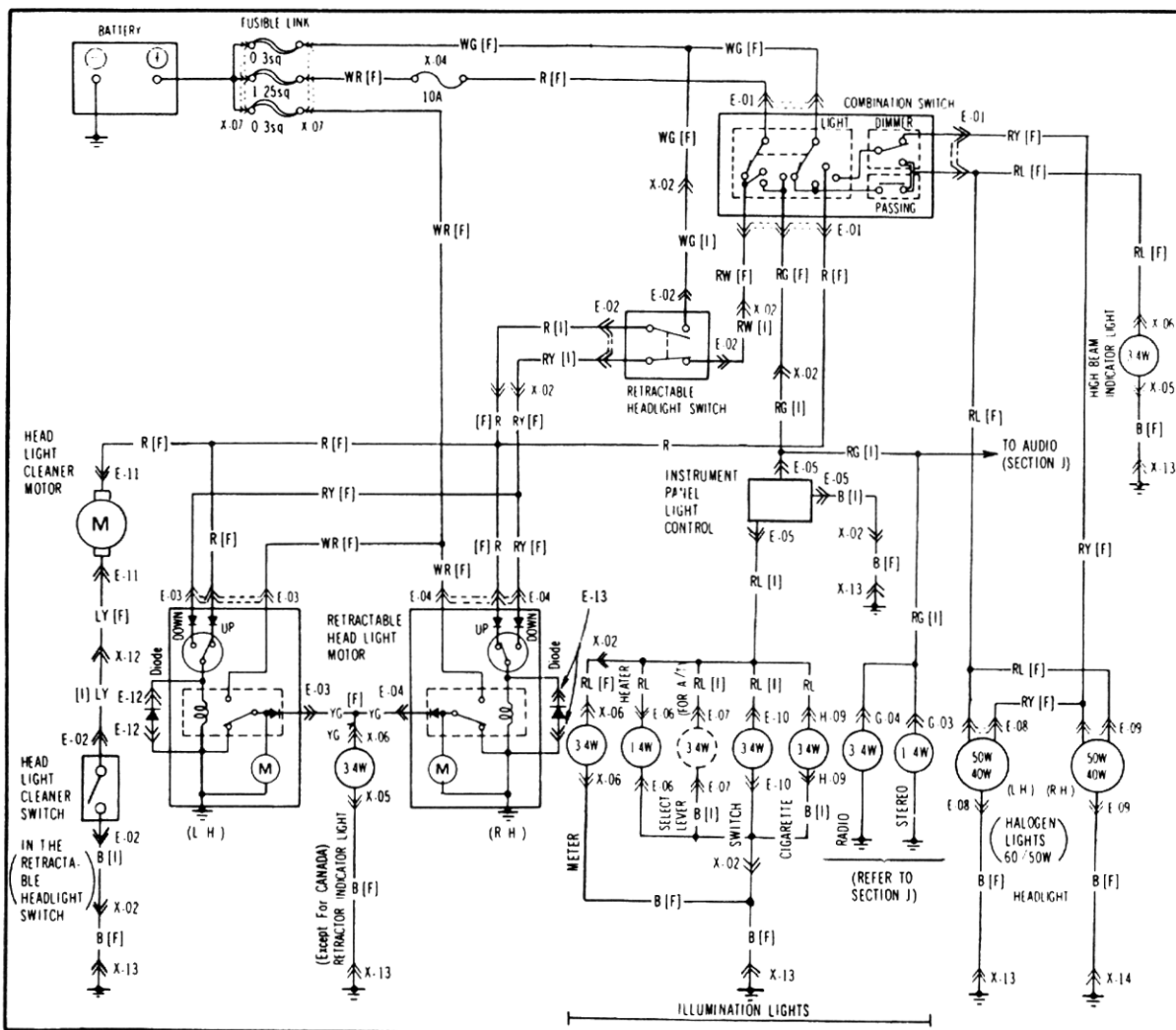


<p>D-01 FRONT WASHER MOTOR [F]</p>	<p>D-02 FRONT WIPER MOTOR [F]</p>	<p>D-03 COMBINATION SWITCH [F]</p>	<p>D-04 REAR WASHER MOTOR [R]</p>
<p>D-05 REAR WIPER MOTOR [R]</p>	<p>D-06 REAR WIPER & WASHER SWITCH [HB]</p>	<p>D-07 CONNECTOR TO REAR WIPER</p>	

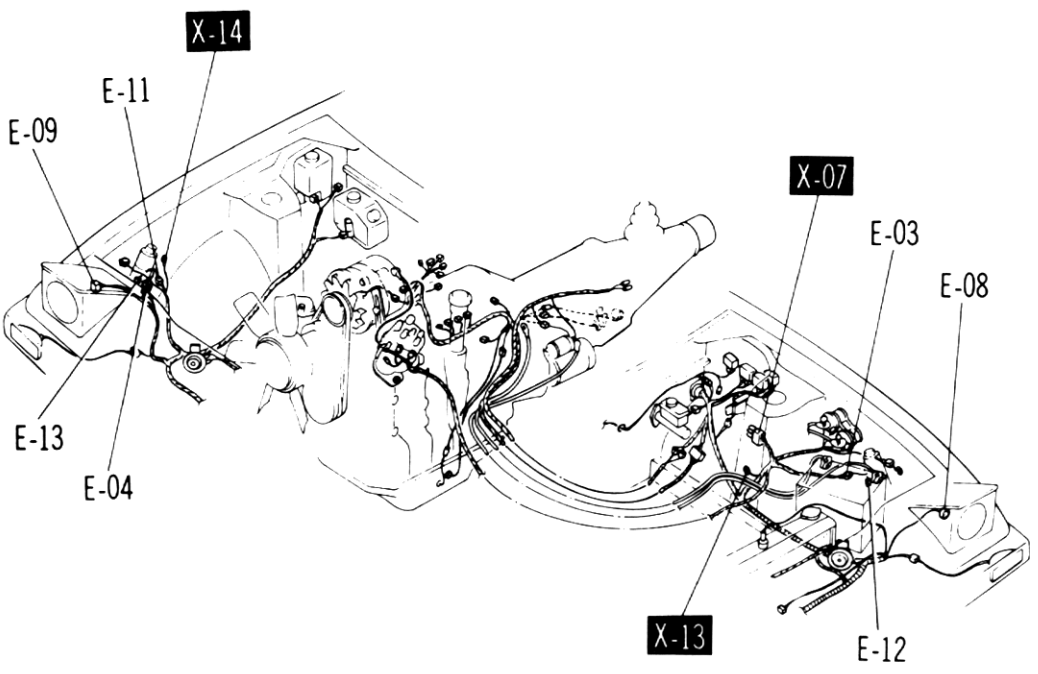
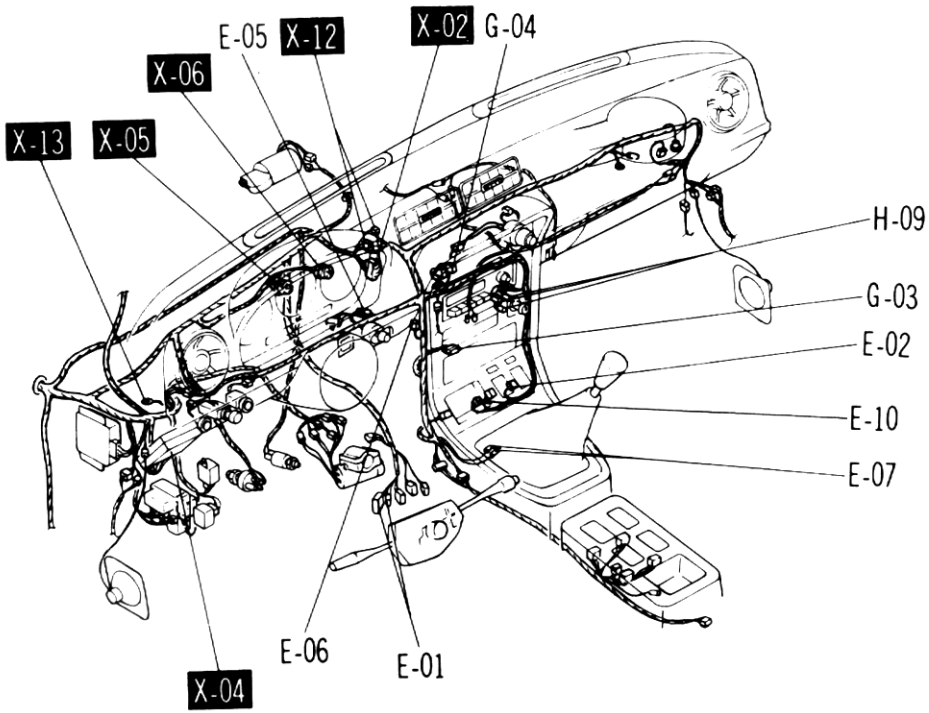


E HEADLIGHTS & ILLUMINATION LIGHTS

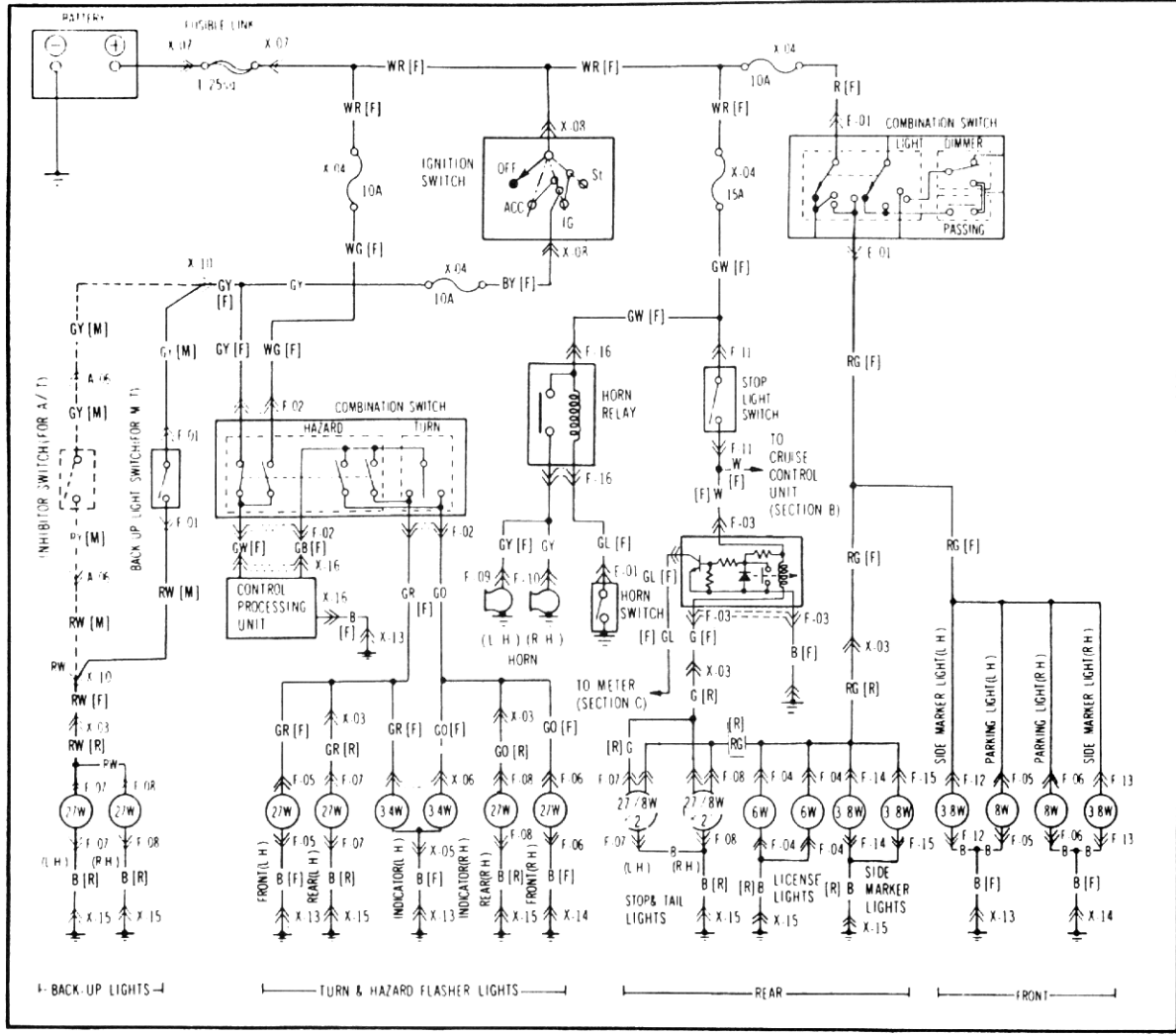
HEADLIGHT CLEANER



<p>E-01 COMBINATION SWITCH [F]</p>	<p>E-02 RETRACTABLE HEADLIGHT SWITCH [I]</p>	<p>E-03 RETRACTABLE HEADLIGHT MOTOR (L H) [F]</p>	<p>E-04 RETRACTABLE HEADLIGHT MOTOR (R H) [F]</p>
<p>E-05 INSTRUMENT PANEL LIGHT CONTROL [I]</p>	<p>E-06 HEATER ILLUMINATION LIGHT [I]</p>	<p>E-07 SELECT LEVER ILLUMINATION LIGHT [I] (FOR A/1)</p>	<p>E-08 HEADLIGHT (L H) [F]</p>
<p>E-09 HEADLIGHT (R H) [F]</p>	<p>E-10 SWITCH PANEL ILLUMINATION LIGHT [I]</p>	<p>E-11 HEADLIGHT CLEANER MOTOR [F]</p>	<p>E-12 DIODE (L H)</p>
<p>E-13 DIODE (R H)</p>			

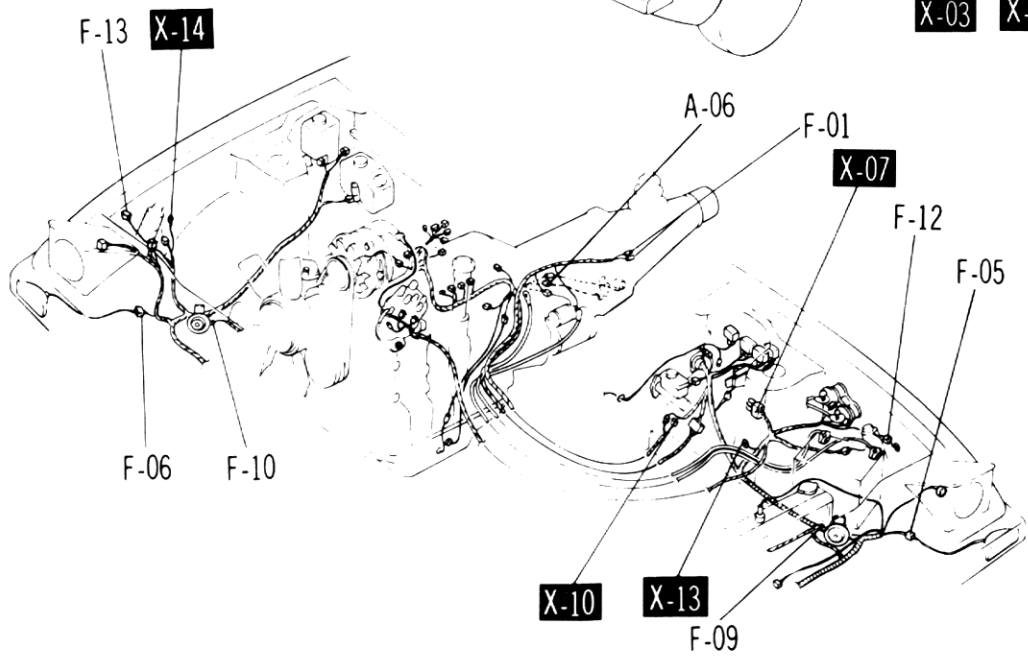
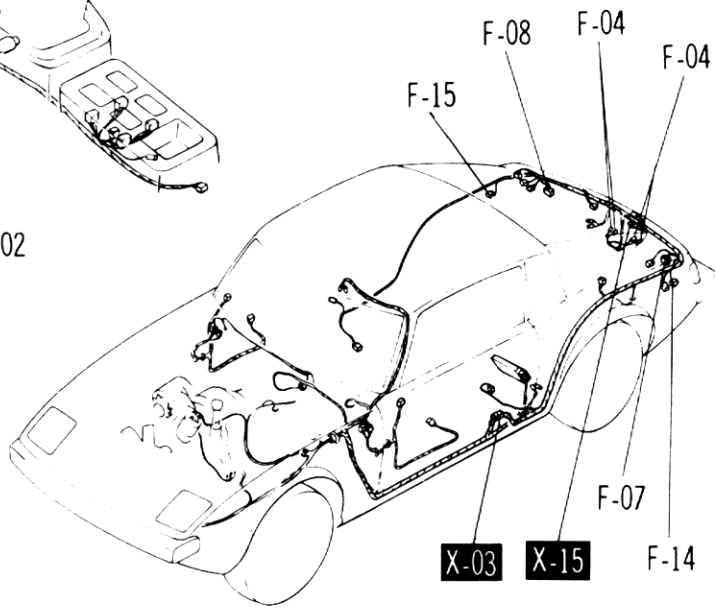
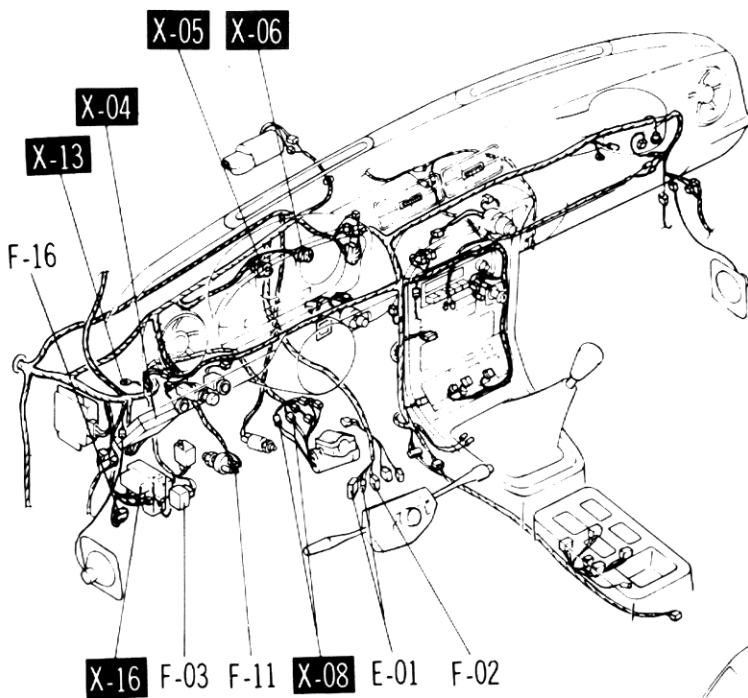


F ■TURN & HAZARD FLASHER LIGHTS ■BACK-UP LIGHTS
 ■STOP LIGHTS ■LICENSE LIGHTS ■HORN
 ■SIDE MARKER LIGHTS ■FRONT PARKING LIGHTS
 ■TAIL LIGHTS



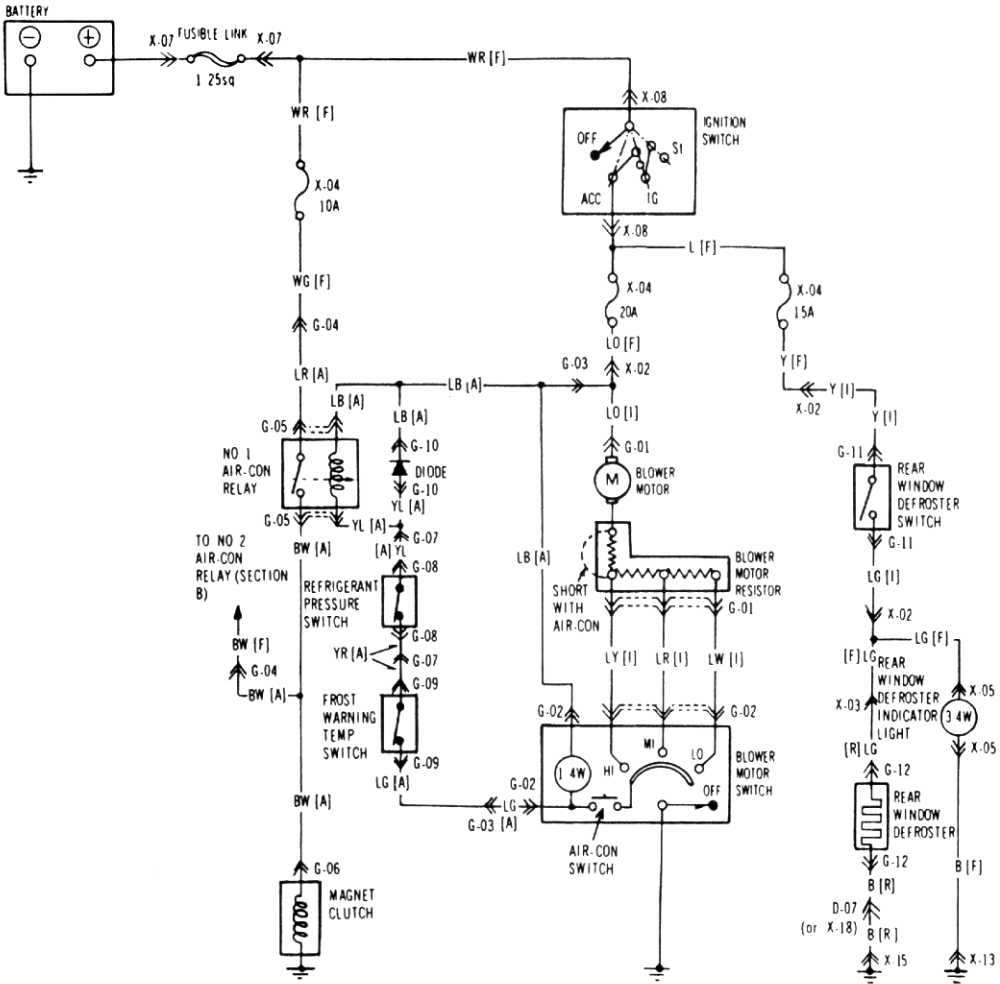
<p>F-01 BACK UP LIGHT SWITCH [E]</p>	<p>F-02 COMBINATION SWITCH [F]</p>	<p>F-03 STOP LIGHT CHECKER [F]</p>	<p>F-04 LICENSE LIGHT (L H) (R H) [R]</p>
<p>F-05 FRONT TURN & PARKING LIGHT (L H) [F]</p>	<p>F-06 FRONT TURN & PARKING LIGHT (R H) [F]</p>	<p>F-07 REAR COMBINATION LIGHT (L H) [R]</p>	<p>F-08 REAR COMBINATION LIGHT (R H) [R]</p>
<p>F-09 HORN (L H) [F]</p>	<p>F-10 HORN (R H) [F]</p>	<p>F-11 STOP LIGHT SWITCH [F]</p>	<p>F-12 FRONT SIDE MARKER LIGHT (L H) [F]</p>
<p>F-13 FRONT SIDE MARKER LIGHT (R H) [F]</p>	<p>F-14 REAR SIDE MARKER LIGHT (L H) [R]</p>	<p>F-15 REAR SIDE MARKER LIGHT (R H) [R]</p>	<p>F-16 HORN RELAY [F]</p>

Note ✕ --- Not Used

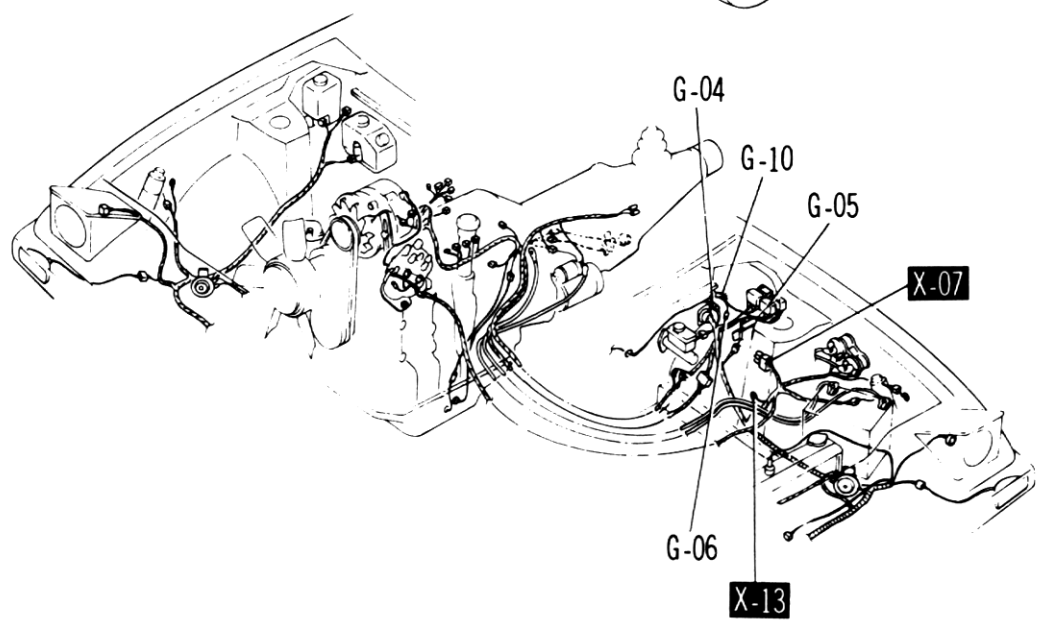
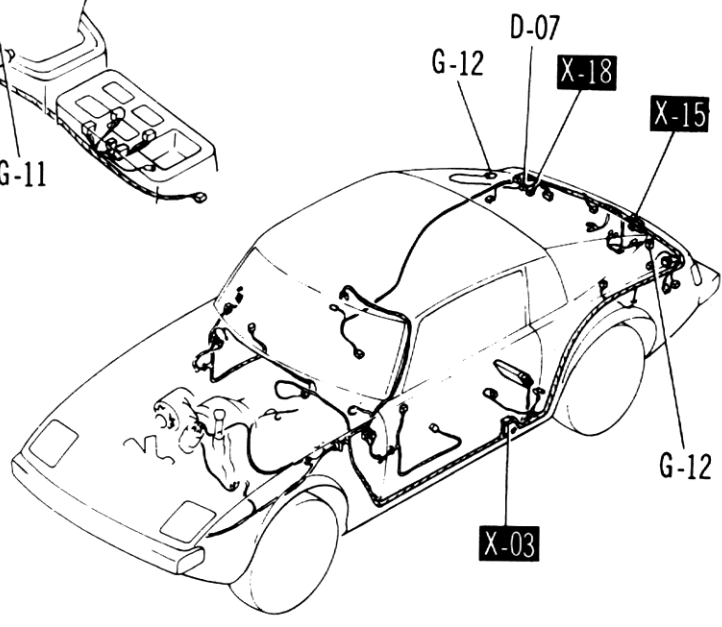
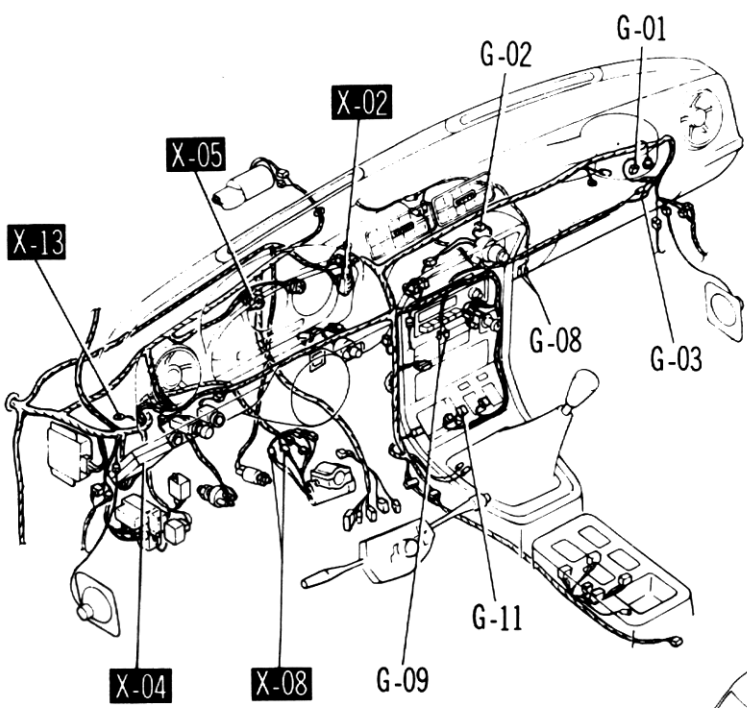


G

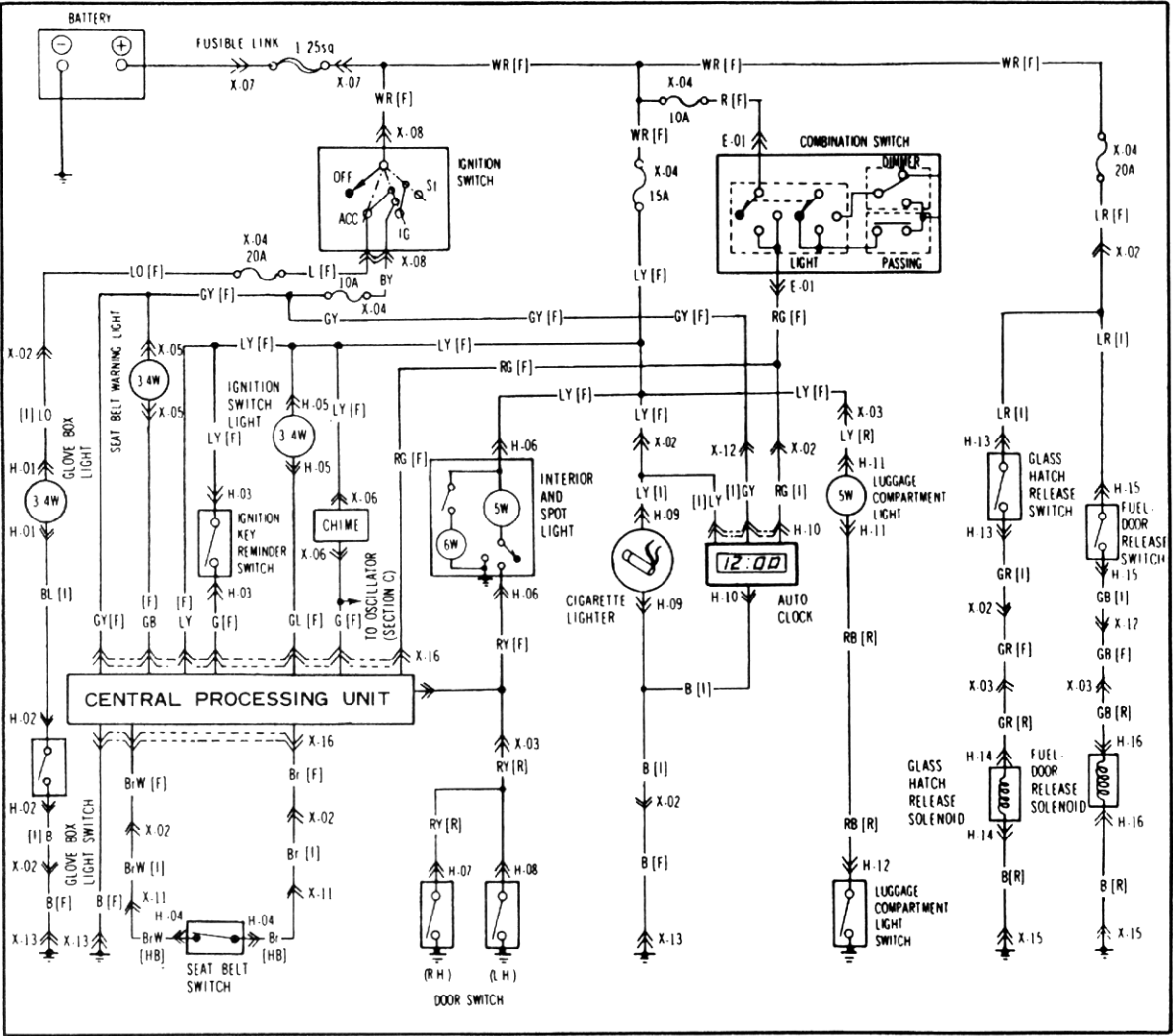
■HEATER & AIR CONDITIONER
 ■REAR WINDOW DEFROSTER


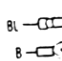



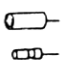



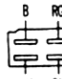

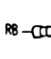


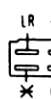



<p>G-01 BLOWER MOTOR & RESISTOR [I]</p>	<p>G-02 BLOWER MOTOR SWITCH [I]</p>	<p>G-03 CONNECTOR BETWEEN INPANE AND AIR-CON. HARNESS [I] [A]</p>	<p>G-04 CONNECTOR BETWEEN FRONT AND AIR-CON HARNESS [F] [A]</p>
<p>G-05 No 1 AIR-CON RELAY [A]</p>	<p>G-06 MAGNET CLUTCH [A]</p>	<p>G-07 CONNECTOR TO REFRIGERANT PRESSURE SWITCH [A]</p>	<p>G-08 REFRIGERANT PRESSURE SWITCH [A]</p>
<p>G-09 FROST WARNING TEMP SWITCH [A]</p>	<p>G-10 DIODE [A]</p>	<p>G-11 REAR WINDOW DEFROSTER SWITCH [I]</p>	<p>G-12 REAR WINDOW DEFROSTER [R]</p>

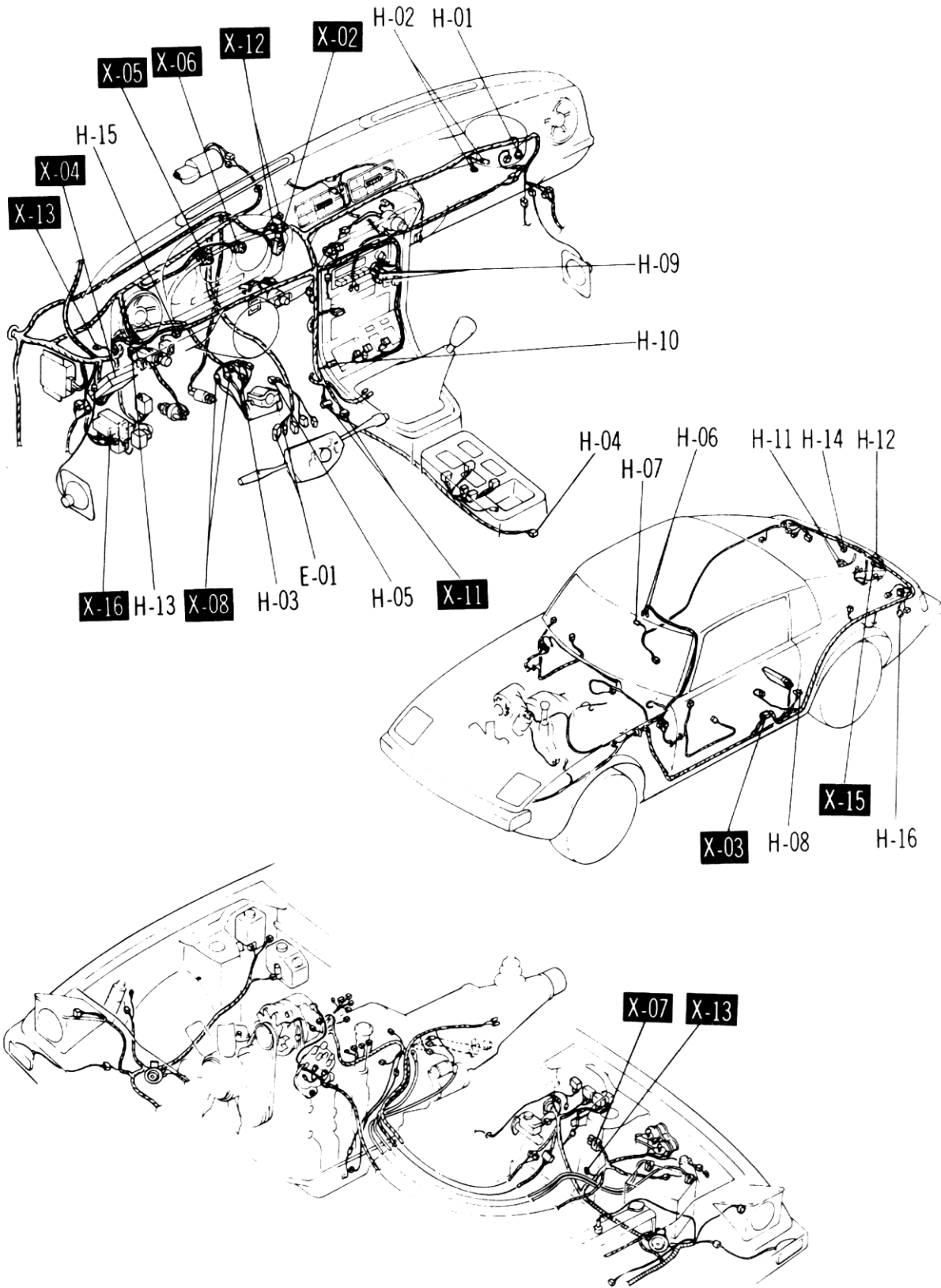


- GLOVE BOX LIGHT ■ SEAT BELT WARNING SYSTEM ■ CIGARETTE LIGHTER
- IGNITION KEY REMINDER BUZZER ■ IGNITION SWITCH LIGHT SYSTEM
- INTERIOR AND SPOT LIGHT ■ LIGHTS OFF REMINDER CHIME SYSTEM
- AUTO CLOCK ■ LUGGAGE COMPARTMENT LIGHT
- GLASS HATCH RELEASE SYSTEM ■ FUEL-DOOR RELEASE SYSTEM



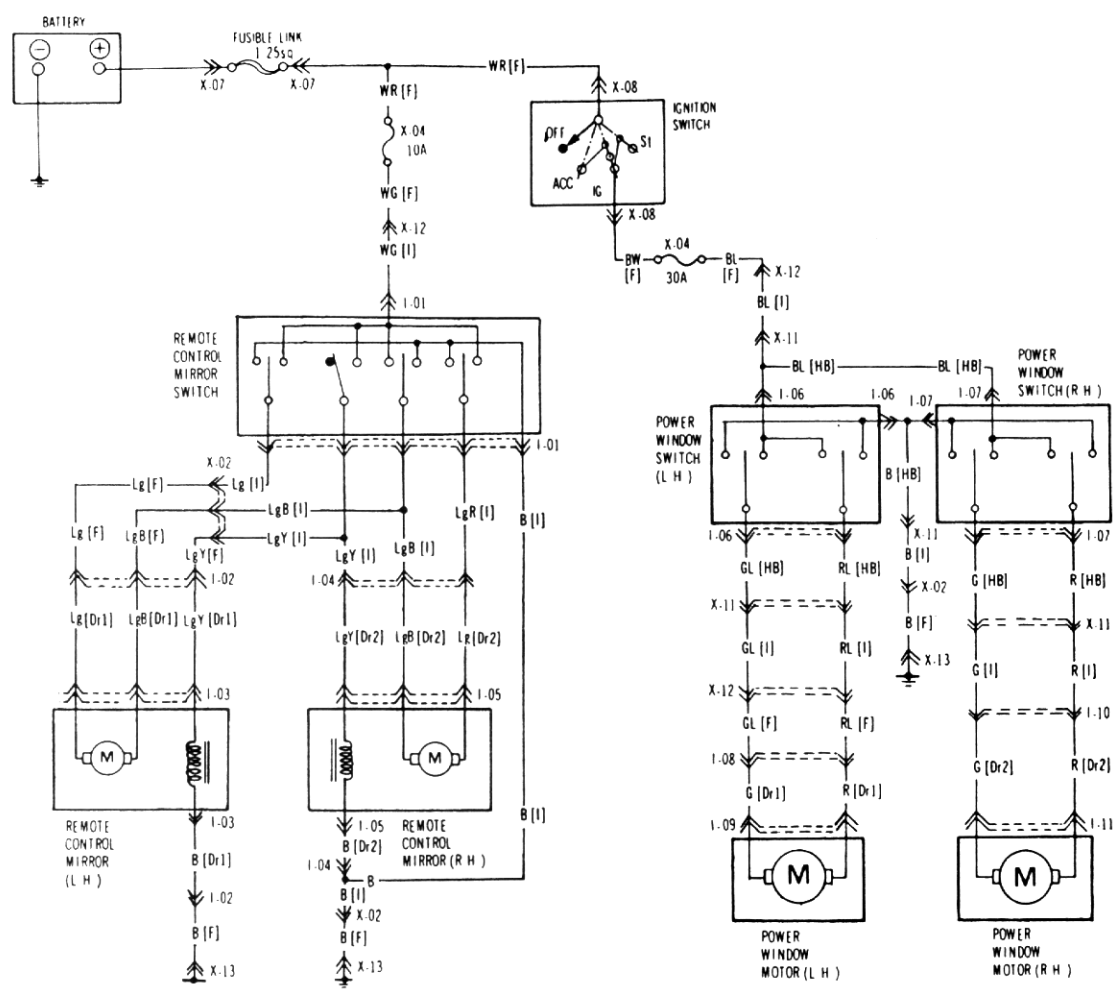
H-01 GLOVE BOX LIGHT [I] 	H-02 GLOVE BOX LIGHT SWITCH [I] 	H-03 IGNITION KEY REMINDER SWITCH [F] 	H-04 SEAT BELT SWITCH [HB] 
H-05 IGNITION SWITCH LIGHT [F] 	H-06 INTERIOR & SPOT LIGHT [F] 	H-07 DOOR SWITCH (FRONT R.H.) [R] 	H-08 DOOR SWITCH (REAR L.H.) [R] 
H-09 CIGARETTE LIGHTER [I] 	H-10 AUTO CLOCK [I] 	H-11 LUGGAGE COMPARTMENT LIGHT [R] 	H-12 LUGGAGE COMPARTMENT LIGHT SWITCH [R] 
H-13 GLASS HATCH RELEASE SWITCH [I] 	H-14 GLASS HATCH RELEASE SOLENOID [R] 	H-15 FUEL-DOOR RELEASE SWITCH [I] 	H-16 FUEL-DOOR RELEASE SOLENOID [R] 

Note ✕...Not Used

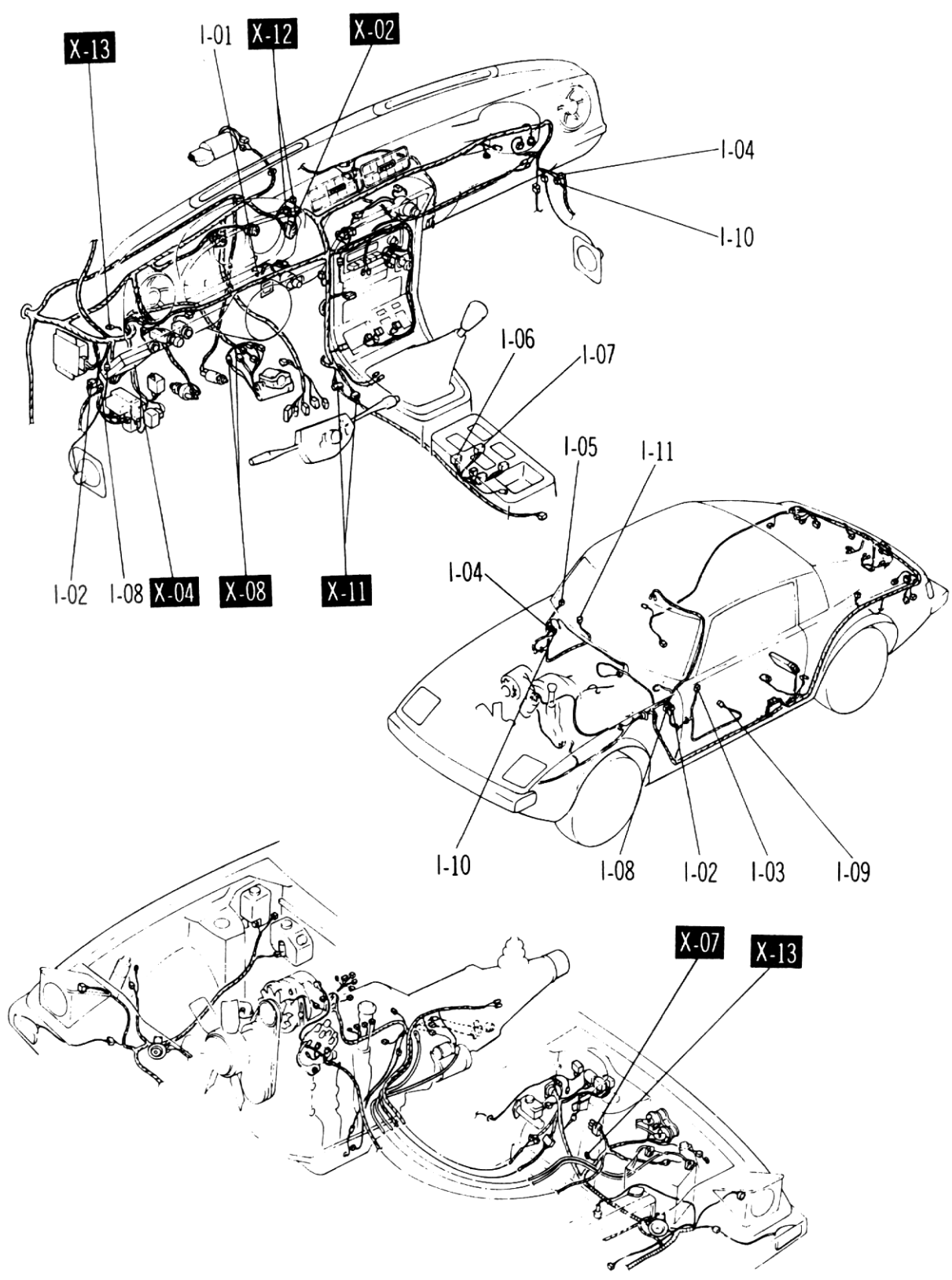


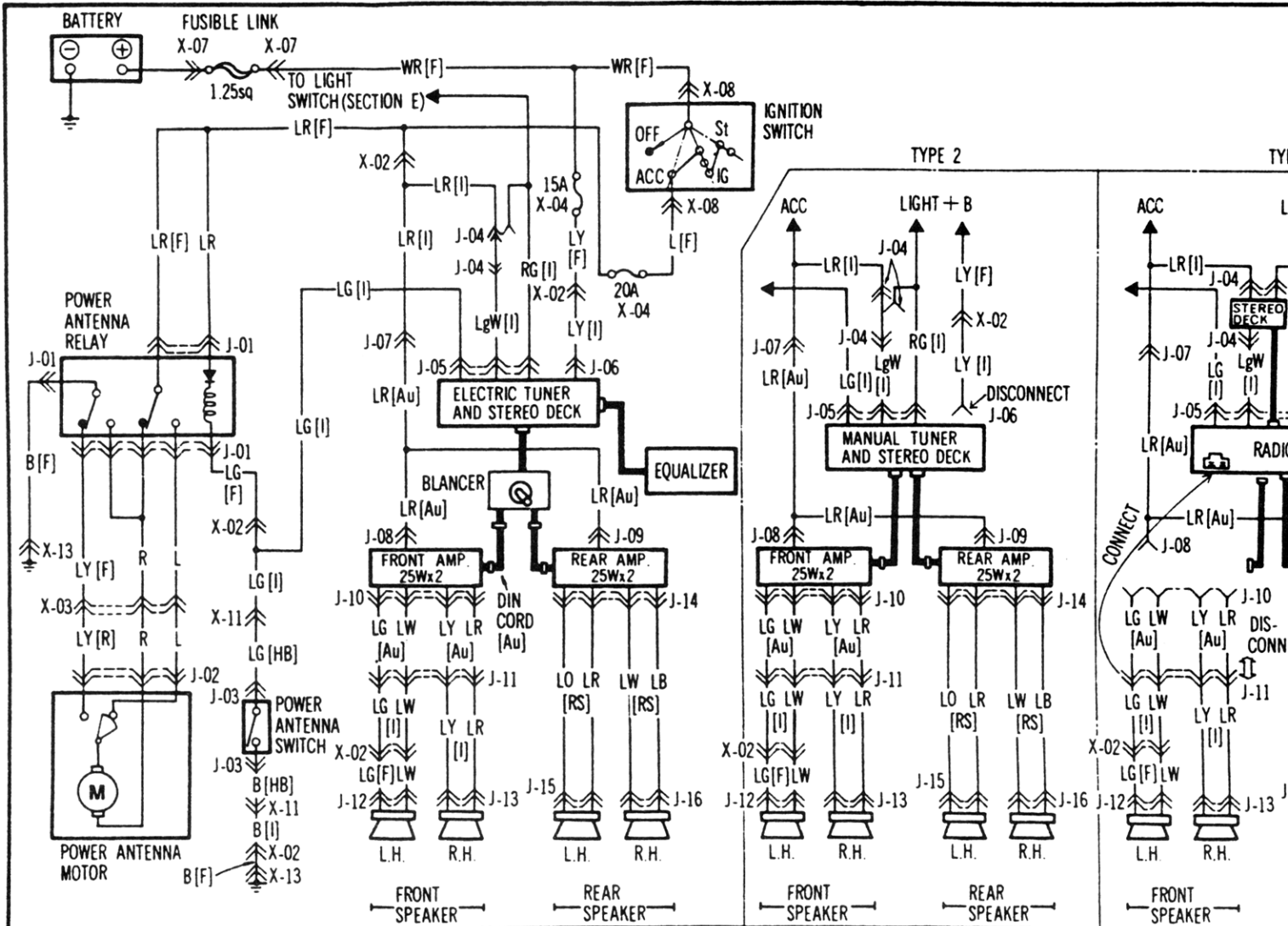
■ REMOTE CONTROL MIRROR

■ POWER WINDOW



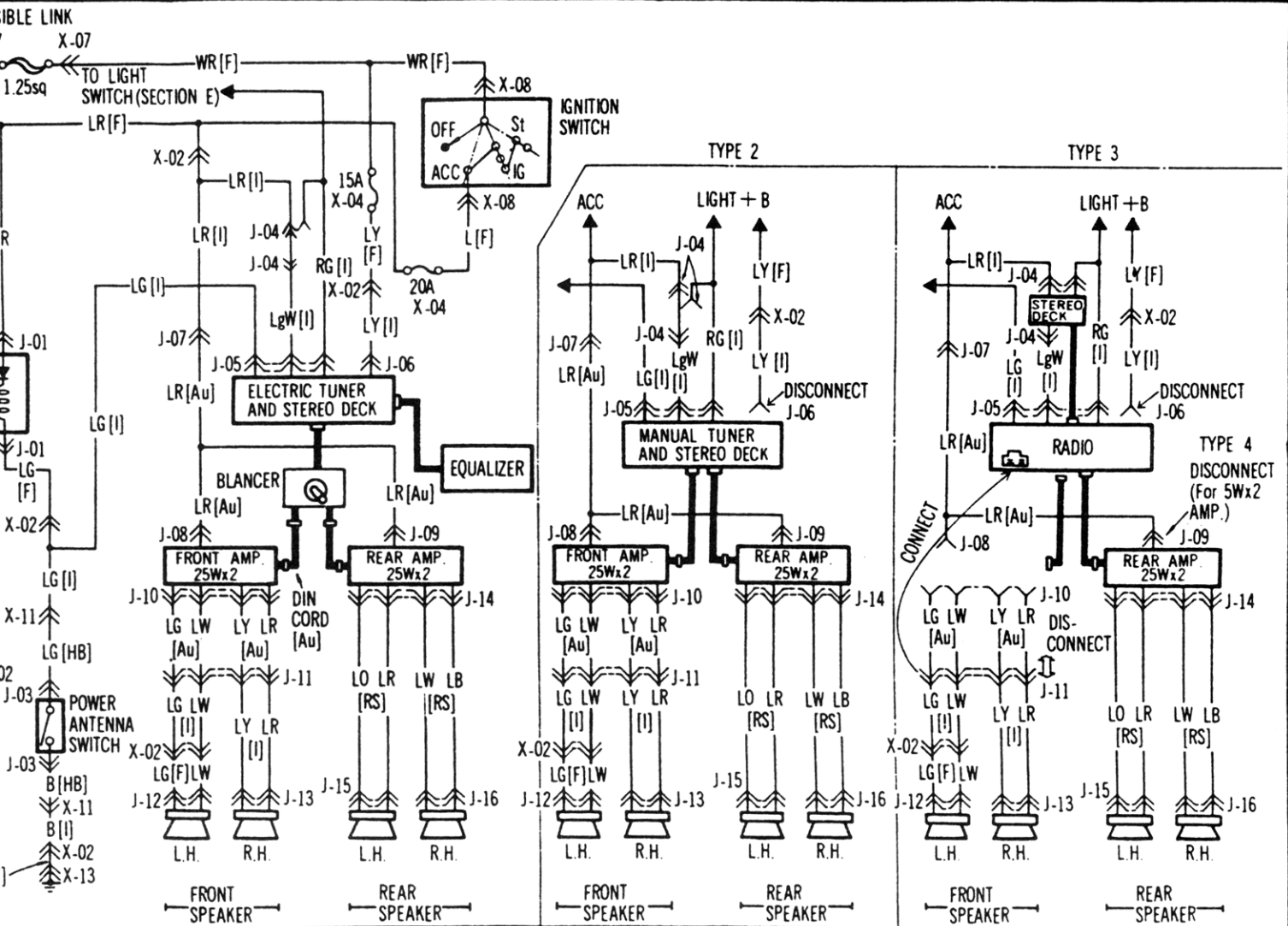
<p>1-01 REMOTE CONTROL MIRROR SWITCH [I]</p>	<p>1-02 CONNECTOR BETWEEN FRONT AND DOOR HARNESS (L H) [F] [Dr1]</p>	<p>1-03 REMOTE CONTROL MIRROR (L H) [Dr1]</p>	<p>1-04 CONNECTOR BETWEEN INPANE AND DOOR HARNESS (R H) [I] [Dr2]</p>
<p>1-05 REMOTE CONTROL MIRROR (R H) [Dr2]</p>	<p>1-06 POWER WINDOW SWITCH (L H) [HB]</p>	<p>1-07 POWER WINDOW SWITCH (R H) [HB]</p>	<p>1-08 CONNECTOR BETWEEN FRONT AND DOOR HARNESS (L H) [F] [Dr1]</p>
<p>1-09 POWER WINDOW MOTOR (L H) [Dr1]</p>	<p>1-10 CONNECTOR BETWEEN INPANE AND DOOR HARNESS (R H) [I] [Dr2]</p>	<p>1-11 POWER WINDOW MOTOR (R H) [Dr2]</p>	

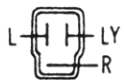
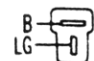
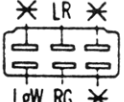




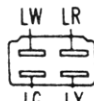
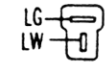
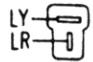
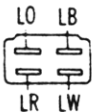
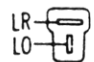


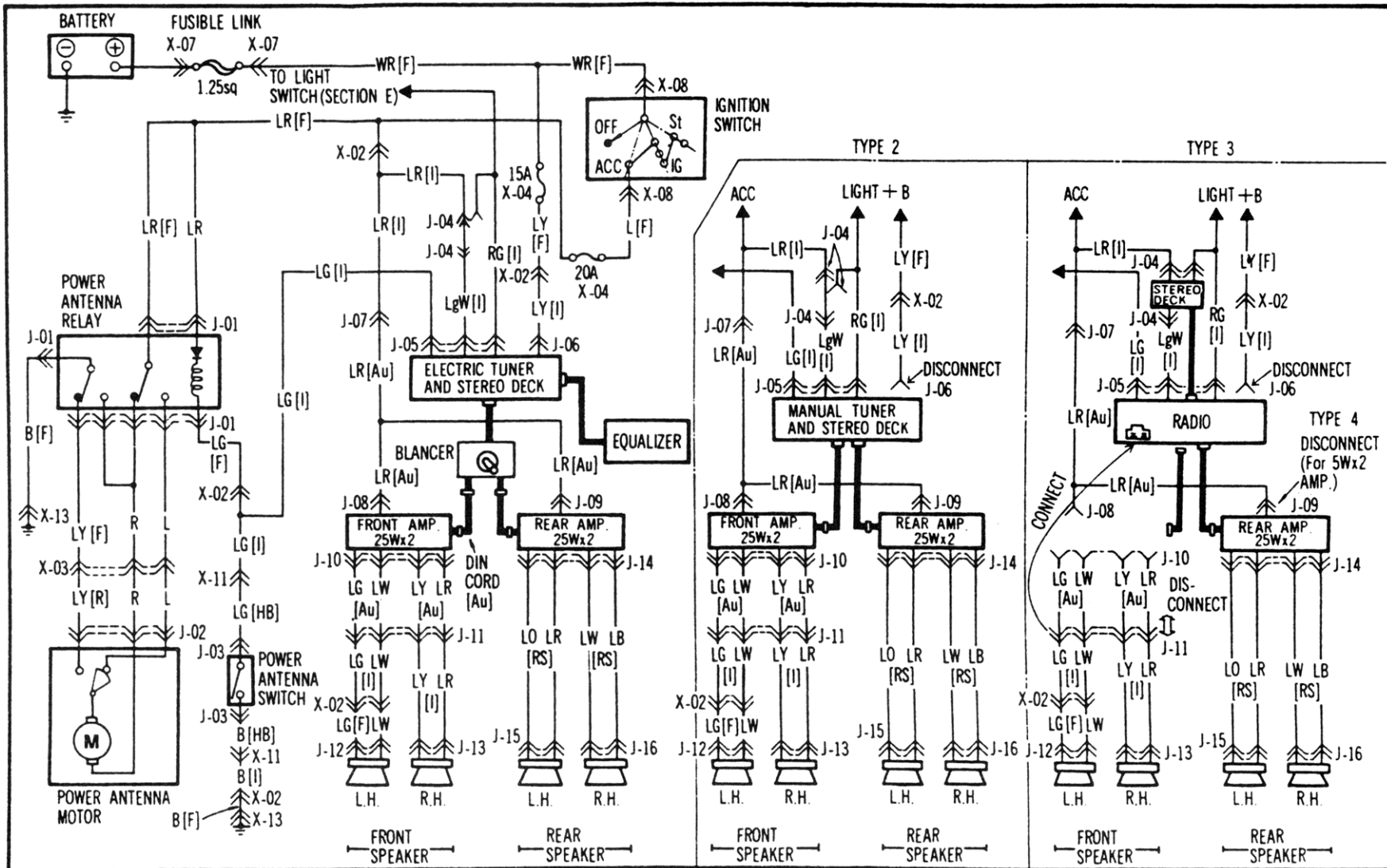


<p>J-01 POWER ANTENNA RELAY [F]</p>	<p>J-02 POWER ANTENNA MOTOR [R]</p>	<p>J-03 POWER ANTENNA SWITCH (For WITHOUT RADIO) [HB]</p>	<p>J-04 STEREO DECK [I]</p>	<p>J-05 TUNER</p>
<p>J-06 TUNER & DECK [I]</p>	<p>J-07 CONNECTOR BETWEEN INSTRUMENT PANEL [I] AND AUDIO HARNESS [Au]</p>	<p>J-08 FRONT AMP. [Au]</p>	<p>J-09 REAR AMP. [Au]</p>	<p>J-10 SPEAK</p>
<p>J-11 CONNECTOR BETWEEN INSTRUMENT PANEL [I] AND AUDIO HARNESS [Au]</p>	<p>J-12 FRONT SPEAKER (L.H.) [F]</p>	<p>J-13 FRONT SPEAKER (R.H.) [I]</p>	<p>J-14 REAR SPEAKER CORD [RS]</p>	<p>J-15 REAR</p>
<p>J-16 REAR SPEAKER (R.H.) [RS]</p>				

Note ✕...Not Used

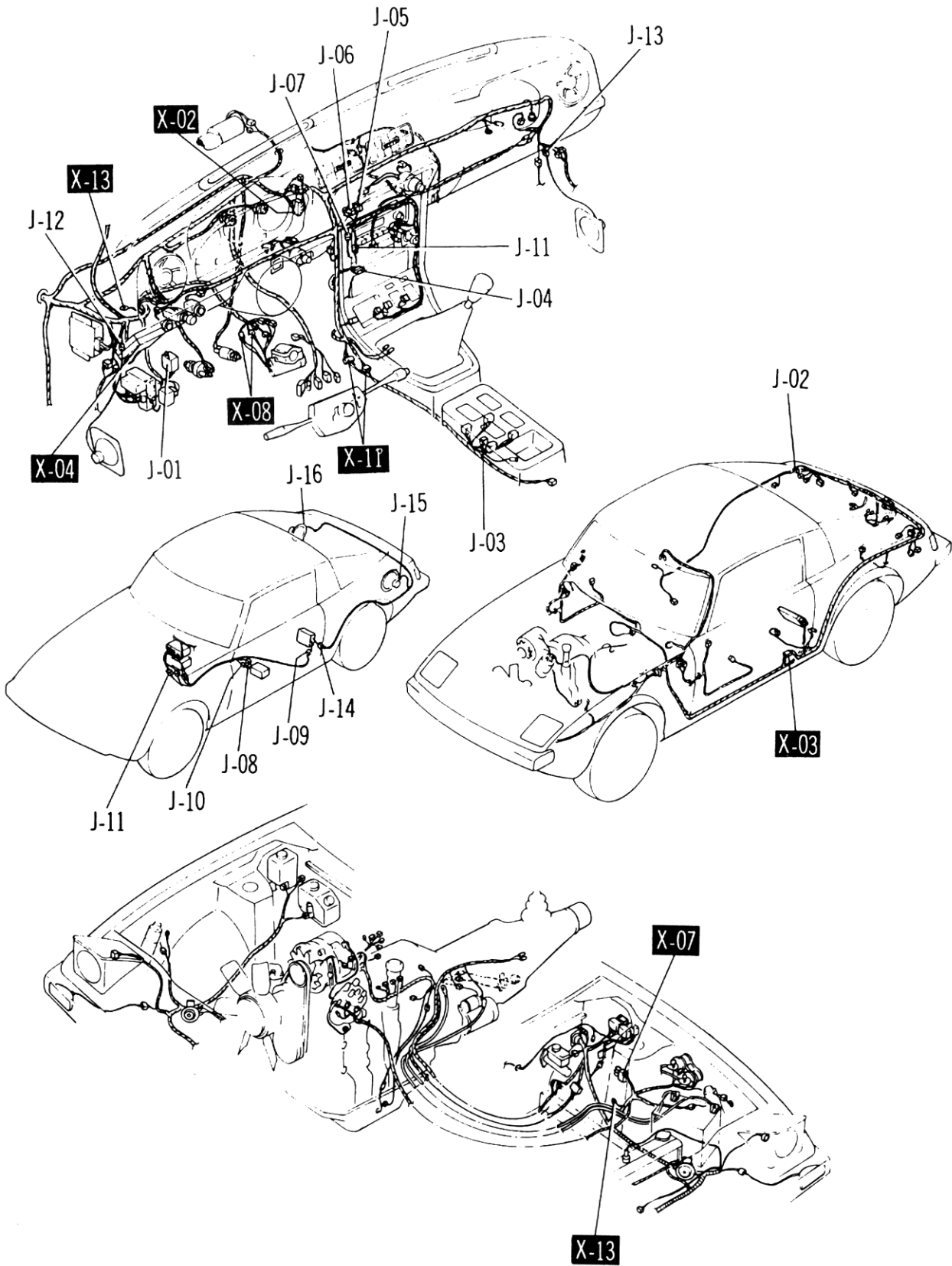


LAY [F] B LR	J-02 POWER ANTENNA MOTOR [R] 	J-03 POWER ANTENNA SWITCH (For WITHOUT RADIO) [HB] 	J-04 STEREO DECK [I] × LR × SHORT 	J-05 TUNER & DECK [I] 
INSTRU- AUDIO HARNESS [Au]	J-07 CONNECTOR BETWEEN INSTRUMENT PANEL [I] AND AUDIO HARNESS [Au] 	J-08 FRONT AMP. [Au] 	J-09 REAR AMP. [Au] 	J-10 SPEAKER CORD [Au] 
[RS]	J-12 FRONT SPEAKER (L.H.) [F] 	J-13 FRONT SPEAKER (R.H.) [I] 	J-14 REAR SPEAKER CORD [RS] 	J-15 REAR SPEAKER (L.H.) [RS] 



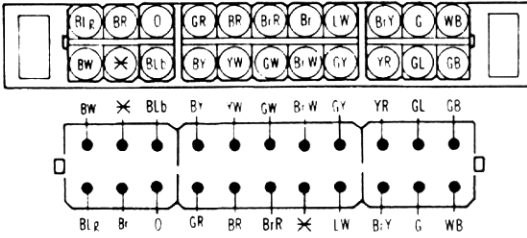
<p>J-01 POWER ANTENNA RELAY [F]</p>	<p>J-02 POWER ANTENNA MOTOR[R]</p>	<p>J-03 POWER ANTENNA SWITCH (For WITHOUT RADIO)[HB]</p>	<p>J-04 STEREO DECK[I]</p>	<p>J-05 TUNER & DECK [I]</p>
<p>J-06 TUNER & DECK [I]</p>	<p>J-07 CONNECTOR BETWEEN INSTRUMENT PANEL [I] AND AUDIO HARNESS [Au]</p>	<p>J-08 FRONT AMP. [Au]</p>	<p>J-09 REAR AMP. [Au]</p>	<p>J-10 SPEAKER CORD [Au]</p>
<p>J-11 CONNECTOR BETWEEN INSTRUMENT PANEL [I] AND AUDIO HARNESS [Au]</p>	<p>J-12 FRONT SPEAKER (L.H.) [F]</p>	<p>J-13 FRONT SPEAKER (R.H.) [I]</p>	<p>J-14 REAR SPEAKER CORD [RS]</p>	<p>J-15 REAR SPEAKER (L.H.) [RS]</p>
<p>J-16 REAR SPEAKER (R.H.) [RS]</p>				

Note ✕...Not Used

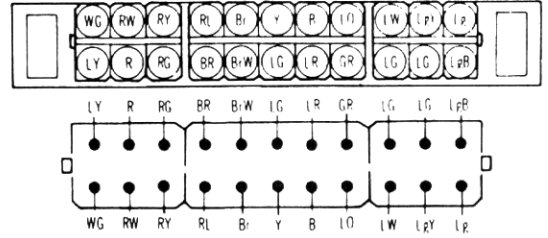


COMMON CONNECTOR LIST

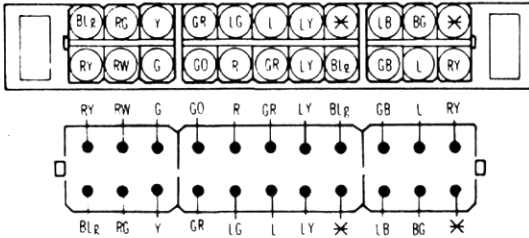
X-01 CONNECTOR BETWEEN FRONT [F] AND ENGINE HARNESS [E]



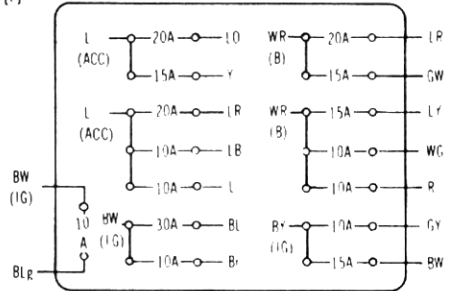
X-02 CONNECTOR BETWEEN FRONT [F] AND INPANE HARNESS [I]



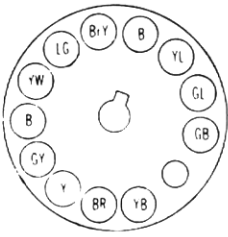
X-03 CONNECTOR BETWEEN FRONT [F] AND REAR HARNESS [R]



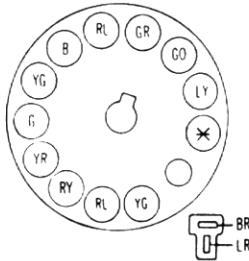
X-04 FUSE BLOCK [F]



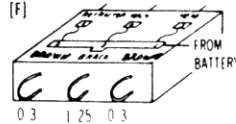
X-05 COMBINATION METER [F]



X-06 COMBINATION METER [F]



X-07 FUSIBLE LINK [F]



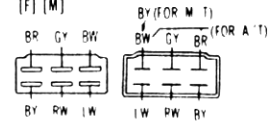
X-08 IGNITION SWITCH [F]



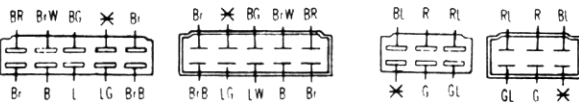
X-09 IGNITION SWITCH [F]



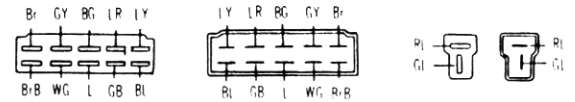
X-10 CONNECTOR TO TRANSMISSION HARNESS [F] (M)



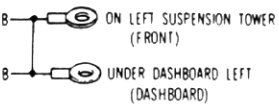
X-11 CONNECTOR BETWEEN INPANE [I] AND HAND BRAKE HARNESS [HB]



X-12 CONNECTOR BETWEEN FRONT [F] AND INPANE HARNESS [I]



X-13 GROUND [F]



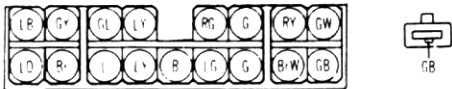
X-14 GROUND (FRONT) [F]



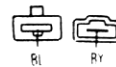
X-15 GROUND (REAR) [R]



X-16 CENTRAL PROCESSING UNIT [F]



X-17 CONNECTOR TO TRANSMISSION HARNESS (FOR A/T) [F] (M)



X-18 CONNECTOR TO REAR WINDOW DEFROSTER HARNESS (WITHOUT REAR WIPER)



Note *...Not Used

Mazda RX-7

1983

Wiring Diagram

Mazda